



Distribution Design Catalogue

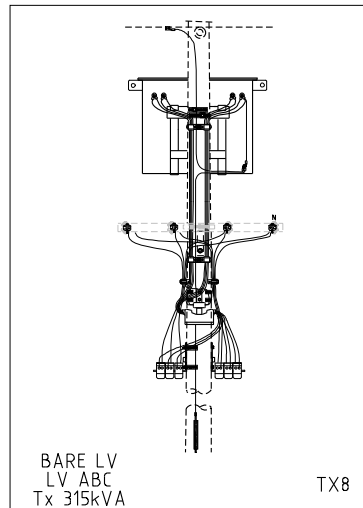
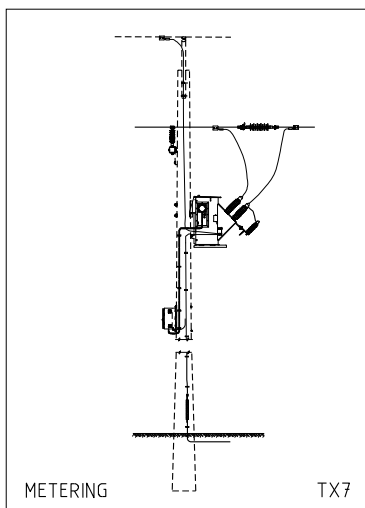
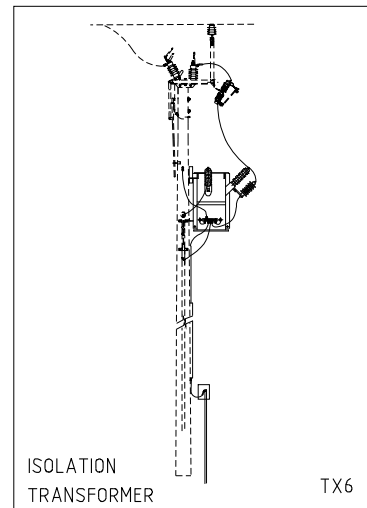
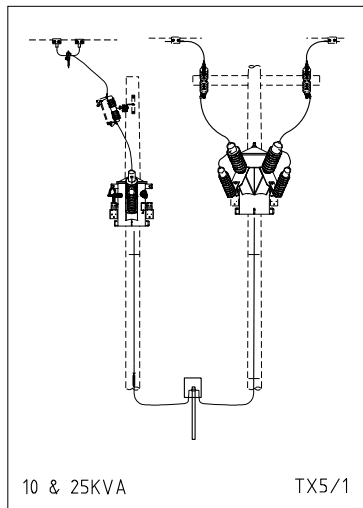
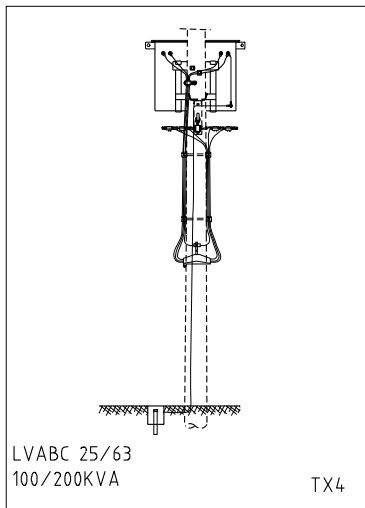
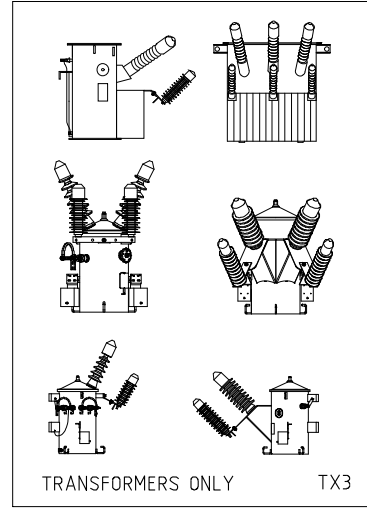
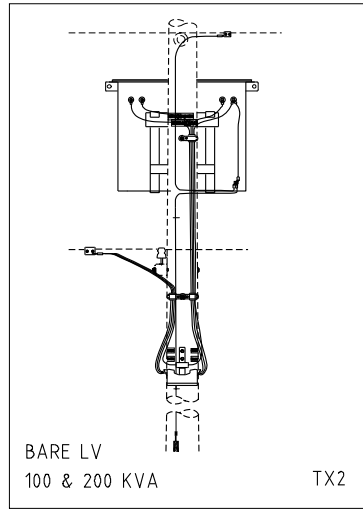
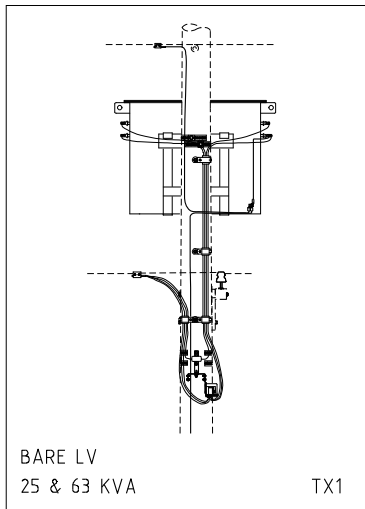
Transformers

Section 08 (TX)

TX Drawings Revision List

CU	DATE	REVISION	DESCRIPTION OF REVISION
	Sept 2002		Original Issue
	May 2004		Refer to Amendment List
	Dec 2005		Major Revision see Amendment List
	July 2006		Refer to Amendment List
	Jan 2008		Refer to Amendment List
	Jan 2009		Refer to Amendment List
	Mar 2009		Refer to Amendment List
	Apr 2009		Refer to Amendment List
	Dec 2009		Revised Format
	June 2010		Refer to Amendment List
	Nov 2014		Refer to Amendment List
	Jan 2015		Refer to Amendment List
	Mar 2015		Refer to Amendment List
	July 2015		Refer to Amendment List
	Sept 2015		Refer to Amendment List
	Jan 2016		Refer to Amendment List
	Feb 2016		Refer to Amendment List
	Mar 2016		Refer to Amendment List
	Apr 2016		Refer to Amendment List
	Mar 2017		Refer to Amendment List
	Aug 2017		Refer to Amendment List
	Nov 2017		Refer to Amendment List
	Dec 2017		Refer to Amendment List
	July 2018		Refer to Amendment List
	Oct 2018		Refer to Amendment List
	Dec 2018		Refer to Amendment List
	Feb 2019		Refer to Amendment List
	Jun 2019		Refer to Amendment List
	Jun 2020		Refer to Amendment List
	Nov 2020		Refer to Amendment List
	Jan 2021		Refer to Amendment List
	Jun 2021		Refer to Amendment List
	Feb 2022		Refer to Amendment List
	Sep 2022		Refer to Amendment List
	Dec 2022		Refer to Amendment List
	Jul 2023		Refer to Amendment List

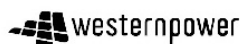
NOTE #	DESCRIPTION
1	Driving point is not required for normal ground conditions including small coffee rocks and shale. For harder ground condition, a driving point is recommended. (It is unlikely the driving point will be suitable for granite rock)



				COMPATIBLE UNIT			DISTRIBUTION DESIGN CATALOGUE			
				TITLE			DRAWN: JRR DATE: 17-03-2014		DRG. No.	
				Tx COMPATIBLE UNITS			ORIGINATED: SCALE: NTS		Tx INDEX	
							CHECKED: REE		REV. C	
							APPROVED: GRANT STACY		SHT.	
REV	DATE	DESCRIPTION	ORGD.	CHKD.	APRD.					
C	11.07.18	TRANSFORMER TYPE CHANGED	NMc	REE	GS					
B	16.10.14	FORMAT CHANGED	JC	REE	GS					
A	28.04.09	ORIGINAL ISSUE								

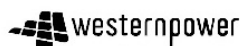
Transformers CU List

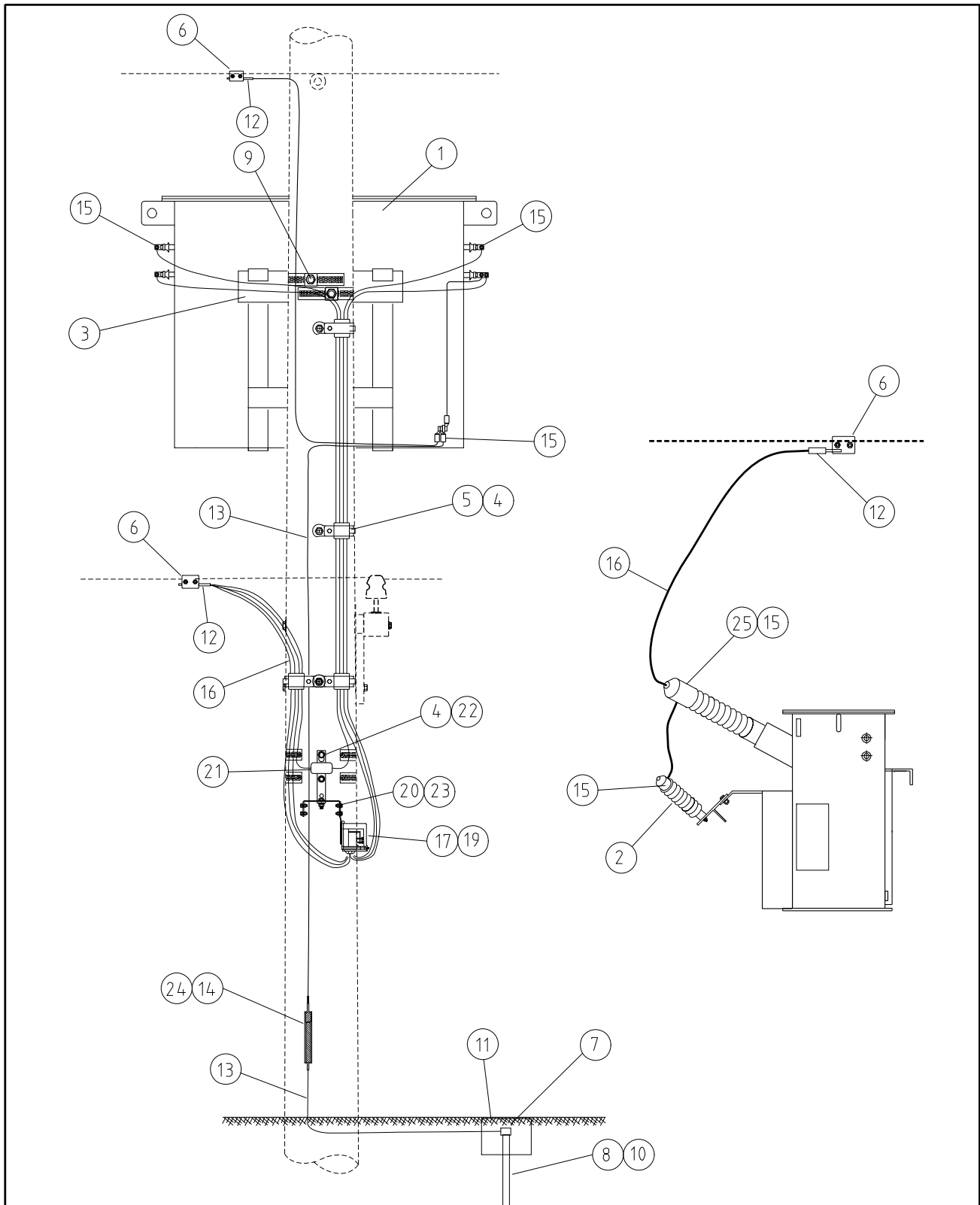
CU	CU DESCRIPTION
TX1_25/11	Transformer with bare LV 25kVA 6/11 kV
TX1_25/22	Transformer with bare LV 25kVA / 22 kV
TX1_25/33	Transformer with bare LV 25kVA / 33 kV
TX1_63/11	Transformer with bare LV 63kVA 6/11 kV
TX1_63/22	Transformer with bare LV 63kVA / 22 kV
TX1_63/33	Transformer with bare LV 63kVA / 33 kV
TX2_100/11	Transformer with bare LV 100kVA 6/11 kV
TX2_200/11	Transformer with bare LV 200kVA 6/11 kV
TX2_100/22	Transformer with bare LV 100kVA 22 kV
TX2_200/22	Transformer with bare LV 200kVA/22 kV
TX2_100/33	Transformer with bare LV 100kVA / 33 kV
TX2_200/33	Transformer with bare LV 200kVA / 33 kV
TX3_25/6	Transformer only 25kVA 6 kV 3 bushing
TX3_100/6	Transformer only 100kVA 6kV 3 bushing
TX3_200/6	Transformer only 200kVA 6kV 3 bushing
TX3_315/6	Transformer only 315kVA 6kV 3 bushing
TX3_25/11	Transformer only 25kVA 11 kV 3 bushing
TX3_100/11	Transformer only 100kVA 11kV 3 bushing
TX3_200/11	Transformer only 200kVA 11kV 3 bushing
TX3_315/11	Transformer only 315kVA 11kV 3 bushing
TX3_25/22	Transformer only 25kVA / 22 kV 3 bushing
TX3_63/22	Transformer only 63kVA / 22 kV 3 bushing
TX3_100/22	Transformer only 100kVA / 22 kV 3 bushing
TX3_200/22	Transformer only 200kVA / 22 kV 3 bushing
TX3_315/22	Transformer only 315kVA / 22 kV 3 bushing
TX3_25/33	Transformer only 25kVA / 33 kV 3 bushing
TX3_63/33	Transformer only 63kVA / 33 kV 3 bushing
TX3_100/33	Transformer only 100kVA / 33 kV 3 bushing
TX3_200/33	Transformer only 200kVA / 33 kV 3 bushing
TX3_315/33	Transformer only 315kVA 33 kV 3 bushing
TX3_10/6	Transformer only 10kVA 6 kV 1 phase 2 bushing
TX3_10/11	Transformer only 10kVA 6/11 kV 1 phase 2 bushing
TX3_10/12.7	Transformer only 10kVA / 12.7 kV 1 phase 1 bushing
TX3_25/12.7	Transformer only 25kVA / 12.7 kV 1 phase 1 bushing
TX3_10/22B2	Transformer only 10kVA / 22 kV 2 phase 2 bushing
TX3_25/22B2	Transformer only 25kVA / 22 kV 2 phase 2 bushing
TX3_10/19.1	Transformer only 10kVA / 19.1 kV 1 phase 1 bushing
TX3_25/19.1	Transformer only 25kVA / 19.1 kV 1 phase 1 bushing
TX3_25/33B2	Transformer only 25kVA / 33 kV 2 phase 2 bushing
TX4_25/11	(New) Transformer with LVABC 25kVA 6/11 kV
TX4_25/11	Transformer with LVABC 25kVA 6/11 kV
TX4_100/11	Transformer with LVABC 100kVA 6/11 kV



Uncontrolled document when printed. Printed copy expires one week from print date.

CU	CU DESCRIPTION
TX4_200/11	(New) Transformer with LVABC 200kVA 6/11 kV
TX4_25/22	(New) Transformer with LVABC 25kVA / 22 kV
TX4_63/22	(New) Transformer with LVABC 63kVA / 22 kV
TX4_100/22	(New) Transformer with LVABC 100kVA / 22 kV
TX4_100/22S	(New) Transformer with LVABC 100kVA / 22 kV Sole Use
TX4_200/22	(New) Transformer with LVABC 200kVA / 22 kV
TX4_200/22S	(New) Transformer with LVABC 200kVA / 22 kV Sole Use
TX4_25/33	Transformer with LVABC 25kVA / 33 kV
TX4_63/33	Transformer with LVABC 63kVA / 33 kV
TX4_100/33	Transformer with LVABC 100kVA / 33 kV
TX4_200/33	Transformer with LVABC 200kVA / 33 kV
TX5_10/11B2	Transformer single phase 10kVA/11kV 2 bushing 240V
TX5_10/12.7	Transformer single phase 10 kVA/12.7kV 1 bushing 240V
TX5_10/19.1	(New) Transformer single phase 10 kVA/19.1kV 1 bushing 240V
TX5_10/22B2	(New) Transformer single phase 10 kVA/22kV 2 bushing 240V
TX5_25/12.7	(New) Transformer single phase 25 kVA/12.7kV 1 bushing 240V
TX5_25/19.1	(New) Transformer single phase 25 kVA/19.1kV 1 bushing 240V
TX5_25/22B2	(New) Transformer single phase 25 kVA/22kV 2 bushing 240V
TX5_25/33B2	Transformer single phase 25 kVA/33kV 2 bushing 240V
TX5_10/11B2P	Transformer single phase 10kVA/11kV 2 bushing 480V
TX5_10/12.7P	Transformer single phase 10kVA/12.7kV 1 bushing 480V
TX5_10/19.1P	(New) Transformer single phase 10kVA/19.1kV 1 bushing 480V
TX5_10/22B2P	(New) Transformer single phase 10kVA/22kV 2 bushing 480V
TX5_25/12.7P	(New) Transformer single phase 25 kVA/12.7kV 1 bushing 480V
TX5_25/19.1P	(New) Transformer single phase 25 kVA/19.1kV 1 bushing 480V
TX5_25/22B2P	(New) Transformer single phase 25kVA/22kV 2 bushing 480V
TX5_25/33B2P	Transformer single phase 25kVA/33kV 2 bushing 480V
TX6_63/22	Isolation tx 63 kVA / 22-12.7kV
TX6_200/22	(New) Isolation tx 200 kVA / 22-12.7kV
TX6_200/33	Isolation tx 200 kVA / 33-12.7kV
TX6_33/19.1	Isolation tx 200 kVA / 33-19.1kV
TX7_22	pole top metering transformer outdoor 22kV
TX7_33	pole top metering transformer outdoor 33kV
TX8_1_315/11	Transformer 315kVA 6/11 kV
TX8_1_315/22	Transformer 315kVA / 22 kV
TX8_1_315/33	Transformer 315kVA / 33 kV
TX8_4_315/11	Transformer 315kVA 6/11 kV
TX8_4_315/22	Transformer 315kVA / 22 kV
TX8_4_315/33	Transformer 315kVA / 33 kV





NOTE:
 1. FOR TRANSFORMER RE-INSTALLATION, ALL TX1 COMPATIBLE UNITS WITHOUT TRANSFORMER AND SURGE ARRESTERS ARE SHOWN IN DQM WITH 'X' AT THE END OF THE COMPATIBLE UNIT NAME.

REV	DATE	DESCRIPTION	ORGD.	CHKD.	APRD.	TITLE	DISTRIBUTION DESIGN CATALOGUE	westernpower		
K	27.07.23	FUSE SYSTEM REVISED	JT	ML	CO	COMPATIBLE UNIT TRANSFORMER WITH BARE LV 25 AND 63kVA	DRAWN: JRR	DATE: 22-04-2014	DRG. No.	
J	27.09.18	REVISED TO SUIT NEW TRANSFORMER	NMc	REE	GS		ORIGINATED:	SCALE: NTS	TX01	
H	21.12.17	EARTHING SYSTEM MODIFIED	JC	REE	GS		CHECKED: REE	APPROVED:		
G	20.10.17	NOTE 1 ADDED AND ITEM NUMBERS REARRANGED	CO	NMc	GS		GRANT STACY	REV. K		SHT.
F	15.10.14	FORMAT CHANGED AND LUGS MODIFIED	JC	REE	GS					



Uncontrolled document when printed. Printed copy expires one week from print date.

CU	CU Description
-----------	-----------------------

TX1_25/11		Transformer with bare LV 25kVA 6/11kV			
ITEM NUMBER	Stock CODE	DESCRIPTION	QTY RQD	UNIT OF MEASURE	REMARKS
1	XT0210	transformer 25kVA	1	ea	
2	GA4001	surge arrester	3	ea	
3	CB0112	tx xarm hanger steel	1	ea	
4	AB6733	pole bolt M16x400mm long with washers	5	ea	
5	CC0101	95 LV ABC clamp	4	ea	
6		PG clamp – see CN9	8	ea	
7	CE0058	earth rod clamp	1	ea	
8	CE0078	earth coupling	5	ea	
9	AB6742	pole bolt M20x550mm long with nut and washers	2	ea	
	CE7541	Dispersion plate	4	ea	
10	CE0135	earth rod	6	ea	
11	CE0201	earth box	1	ea	
12	CJ0494	splice 95 LV ABC with alum tail	8	ea	
13	FM0915	earthing kit	1	ea	
14	CJ0498	Splice 95 LV ABC to 70 Cu	1	ea	
15	FL0401	lug 95 LV ABC	15	ea	
16	FT0095	95 LV ABC cable 4Cx4m long	2	ea	
17	GF1801	fuse holder (rated 100A)	3	ea	
19	GF1930	fuse link 50A	3	ea	
20	AB4476	Bolt M8x40mm long with hex nut	8	ea	
21	GS0109	neutral block	1	ea	
22	GS6021	Bracket mounting for 3x fuse	1	ea	
23	CB3054	Bracket mounting flowline fuse	1	ea	
24	FE0055	Heat shrink black 35mm ID	1	mr	
25	GT0353	Wildlife cover	3	ea	

CU		CU Description			
TX1_63/11		Transformer with bare LV 63kVA 6/11kV			
ITEM NUMBER	STOCK CODE	DESCRIPTION	QTY RQD	UNIT OF MEASURE	REMARKS
1	XT0211	transformer 63kVA	1	ea	
2	GA4001	surge arrester	3	ea	
3	CB0112	tx xarm hanger steel	1	ea	
4	AB6733	pole bolt M16x400mm long with washers	5	ea	
5	CC0101	95 LV ABC clamp	4	ea	
6		PG clamp – see CN9	8	ea	
7	CE0058	earth rod clamp	1	ea	
8	CE0078	earth coupling	5	ea	
9	AB6742	pole bolt M20x550mm long with nut and washers	2	ea	
	CE7541	Dispersion plate	4	ea	
10	CE0135	earth rod	6	ea	
11	CE0201	earth box	1	ea	
12	CJ0494	splice 95 LV ABC with alum tail	8	ea	
13	FM0915	earthing kit	1	ea	
14	CJ0498	Splice 95 LV ABC to 70 Cu	1	ea	
15	FL0401	lug 95 LV ABC	15	ea	
16	FT0095	95 LV ABC cable 4Cx4m long	2	ea	
17	GF1801	fuse holder (rated 100A)	3	ea	
19	GF1947	fuse link 100A	3	ea	
20	AB4476	Bolt M8x40mm long with hex nut	8	ea	
21	GS0109	neutral block	1	ea	
22	GS6021	Bracket mounting for 3x fuse	1	ea	
23	CB3054	Bracket mounting flowline fuse	1	ea	
24	FE0055	Heat shrink black 35mm ID	1	mr	
25	GT0353	Wildlife cover	3	ea	

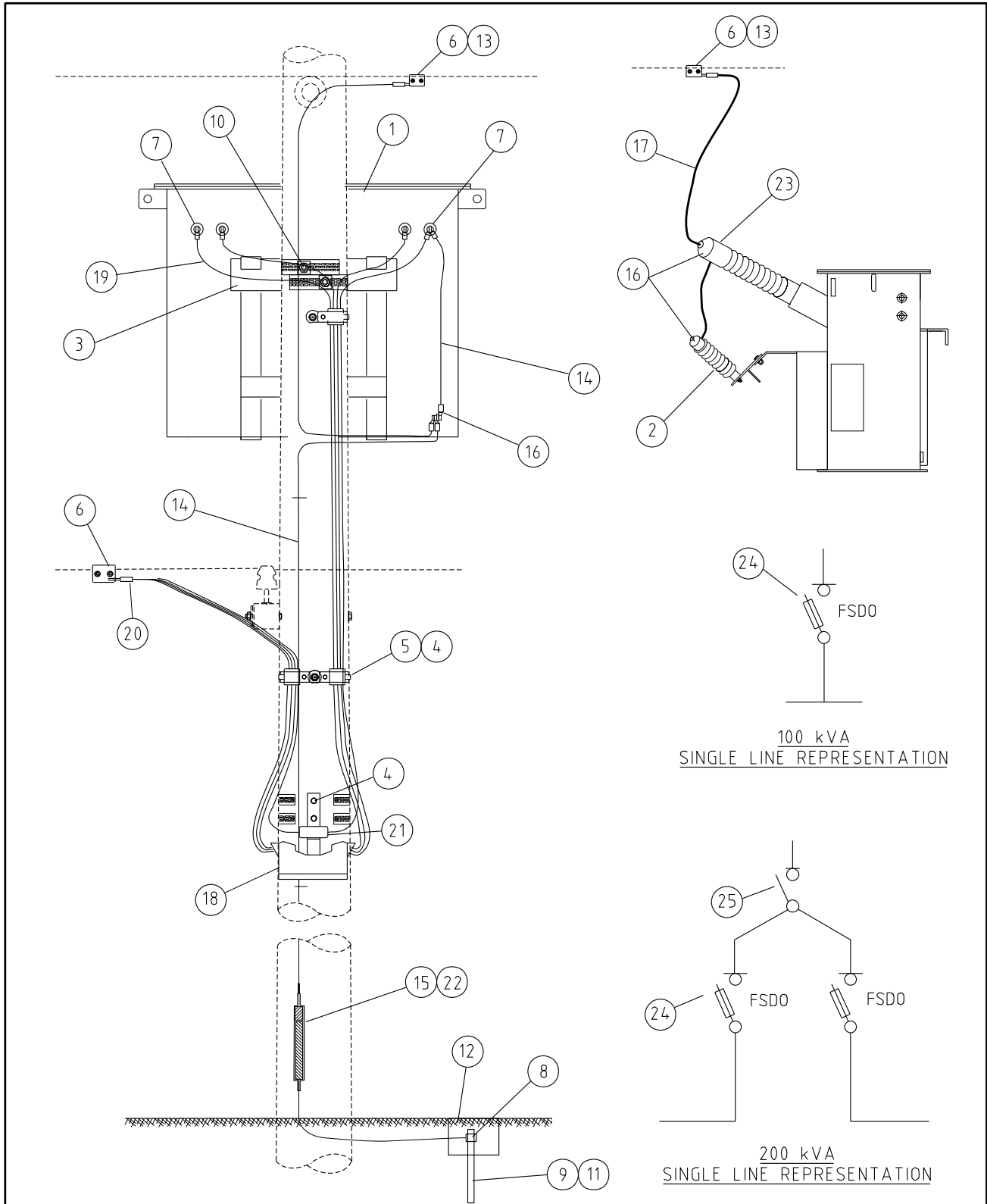
CU		CU Description			
TX1_25/22 Transformer with bare LV 25kVA /22kV					
ITEM NUMBER	STOCK CODE	DESCRIPTION	QTY RQD	UNIT OF MEASURE	REMARKS
1	XT0215	transformer 25kVA	1	ea	
2	GA4002	surge arrester	3	ea	
3	CB0112	tx xarm hanger steel	1	ea	
4	AB6733	pole bolt M16x400mm long with washers	5	ea	
5	CC0101	95 LV ABC clamp	4	ea	
6		PG clamp – see CN9	8	ea	
7	CE0058	earth rod clamp	1	ea	
8	CE0078	earth coupling	5	ea	
9	AB6742	pole bolt M20x550mm long with nut and washers	2	ea	
	CE7541	Dispersion plate	4	ea	
10	CE0135	earth rod	6	ea	
11	CE0201	earth box	1	ea	
12	CJ0494	splice 95 LV ABC with alum tail	8	ea	
13	FM0915	earthing kit	1	ea	
14	CJ0498	Splice 95 LV ABC to 70 Cu	1	ea	
15	FL0401	lug 95 LV ABC	15	ea	
16	FT0095	95 LV ABC cable 4Cx4m long	2	ea	
17	GF1801	fuse holder (rated 100A)	3	ea	
19	GF1930	fuse link 50A	3	ea	
20	AB4476	Bolt M8x40mm long with hex nut	8	ea	
21	GS0109	neutral block	1	ea	
22	GS6021	Bracket mounting for 3x fuse	1	ea	
23	CB3054	Bracket mounting flowline fuse	1	ea	
24	FE0055	Heat shrink black 35mm ID	1	mr	
25	GT0353	Wildlife cover	3	ea	

CU	CU Description
-----------	-----------------------

TX1_63/22		Transformer with bare LV 63kVA / 22kV			
ITEM NUMBER	STOCK CODE	DESCRIPTION	QTY RQD	UNIT OF MEASURE	REMARKS
1	XT0216	transformer 63kVA	1	ea	
2	GA4002	surge arrester	3	ea	
3	CB0112	tx xarm hanger steel	1	ea	
4	AB6733	pole bolt M16x400mm long with washers	5	ea	
5	CC0101	95 LV ABC clamp	4	ea	
6		PG clamp – see CN9	8	ea	
7	CE0058	earth rod clamp	1	ea	
8	CE0078	earth coupling	5	ea	
9	AB6742	pole bolt M20x550mm long with nut and washers	2	ea	
	CE7541	Dispersion plate	4	ea	
10	CE0135	earth rod	6	ea	
11	CE0201	earth box	1	ea	
12	CJ0494	splice 95 LV ABC with alum tail	8	ea	
13	FM0915	earthing kit	1	ea	
14	CJ0498	Splice 95 LV ABC to 70 Cu	1	ea	
15	FL0401	Lug 95 LV ABC	15	ea	
16	FT0095	95 LV ABC cable 4Cx4m long	2	ea	
17	GF1801	fuse holder (rated 100A)	1	ea	
19	GF1947	fuse link 100A	3	ea	
20	AB4476	Bolt M8x40mm long with hex nut	8	ea	
21	GS0109	neutral block	1	ea	
22	GS6021	Bracket mounting for 3x fuse	1	ea	
23	CB3054	Bracket mounting flowline fuse	1	ea	
24	FE0055	Heat shrink black 35mm ID	1	mr	
25	GT0353	Wildlife cover	3	ea	

CU		CU Description			
TX1_25/33		Transformer with bare LV 25kVA 33kV			
ITEM NUMBER	STOCK CODE	DESCRIPTION	QTY RQD	UNIT OF MEASURE	REMARKS
1	XT0220	transformer 25kVA	1	ea	
2	GA4003	surge arrester	3	ea	
3	CB0113	tx xarm hanger steel	1	ea	
4	AB6733	pole bolt M16x400mm long with washers	5	ea	
5	CC0101	95 LV ABC clamp	4	ea	
6		PG clamp – see CN9	8	ea	
7	CE0058	earth rod clamp	1	ea	
8	CE0078	earth coupling	5	ea	
9	AB6742	pole bolt M20x550mm long with nut and washers	2	ea	
	CE7541	Dispersion plate	4	ea	
10	CE0135	earth rod	6	ea	
11	CE0201	earth box	1	ea	
12	CJ0494	splice 95 LV ABC with alum tail	8	ea	
13	FM0915	earthing kit	1	ea	
14	CJ0498	Splice 95 LV ABC to 70 Cu	1	ea	
15	FL0401	lug 95 LV ABC	15	ea	
16	FT0095	95 LV ABC cable 4Cx4m long	2	ea	
17	GF1801	Fuse holder (rated 100A)	3	ea	
19	GF1947	fuse link 100A	3	ea	
20	AB4476	Bolt M8x40mm long with hex nut	8	ea	
21	GS0109	neutral block	1	ea	
22	GS6021	Bracket mounting for 3x fuse	1	ea	
23	CB3054	Bracket mounting flowline fuse	1	ea	
24	FE0055	Heat shrink black 35mm ID	1	mr	
25	GT0353	Wildlife cover	3	ea	

CU		CU Description			
TX1_63/33		Transformer with bare LV 63kVA / 33kV			
ITEM NUMBER	STOCK CODE	DESCRIPTION	QTY RQD	UNIT OF MEASURE	REMARKS
1	XT0221	transformer 63kVA	1	ea	
2	GA4002	surge arrester	3	ea	
3	CB0112	tx xarm hanger steel	1	ea	
4	AB6733	pole bolt M16x400mm long with washers	5	ea	
5	CC0101	95 LV ABC clamp	4	ea	
6		PG clamp – see CN9	8	ea	
7	CE0058	earth rod clamp	1	ea	
8	CE0078	earth coupling	5	ea	
9	AB6742	pole bolt M20x550mm long with nut and washers	2	ea	
	CE7541	Dispersion plate	4	ea	
10	CE0135	earth rod	6	ea	
11	CE0201	earth box	1	ea	
12	CJ0494	splice 95 LV ABC with alum tail	8	ea	
13	FM0915	earthing kit	1	ea	
14	CJ0498	Splice 95 LV ABC to 70 Cu	1	ea	
15	FL0401	lug 95 LV ABC	15	ea	
16	FT0095	95 LV ABC cable 4Cx4m long	2	ea	
17	GF1801	Fuse holder (rated 100A)	3	ea	
19	GF1947	fuse link 100A	3	ea	
20	AB4476	Bolt M8x40mm long with hex nut	8	ea	
21	GS0109	neutral block	1	ea	
22	GS6021	Bracket mounting for 3x fuse	1	ea	
23	CB3054	Bracket mounting flowline fuse	1	ea	
24	FE0055	Heat shrink black 35mm ID	1	mr	
25	GT0353	Wildlife cover	3	ea	



NOTE:
 1. FOR TRANSFORMER RE-INSTALLATION, ALL TX2 COMPATIBLE UNITS WITHOUT TRANSFORMER AND SURGE ARRESTERS ARE SHOWN IN DQM WITH 'X' AT THE END OF THE COMPATIBLE UNIT NAME.

				COMPATIBLE UNIT			DISTRIBUTION DESIGN CATALOGUE		westernpower		
N	27.07.23	KRONE BOX ADDED		JT	ML	CO	TITLE	DRAWN: JRR	DATE: 22-04-2014	DRG. No.	
M	08.02.19	REVISED TO SUIT NEW TRANSFORMER		NMc	NN	GS	TRANSFORMER WITH BARE LV 100 AND 200kVA	ORIGINATED:	SCALE: NTS	TX02	
L	21.12.17	EARTH SYSTEM MODIFIED		JC	REE	GS		CHECKED: REE			
K	20.10.17	ITEM NUMBERS REARRANGED		CO	NMc	GS		APPROVED:			
J	07.08.17	NOTE 1 ADDED AND UNDERSLUNG SWITCH CHANGED		REE	JC	GS		GRANT STACY	REV. N		SHT.
REV	DATE	DESCRIPTION		ORGD.	CHKD.	APRD.					



Uncontrolled document when printed. Printed copy expires one week from print date.

CU		CU Description			
TX2_100/11 Transformer with bare LV 100kVA 6/11kV					
ITEM NUMBER	STOCK CODE	DESCRIPTION	QTY RQD	UNIT OF MEASURE	REMARKS
1	XT0212	transformer	1	ea	
2	GA4001	surge arrester	3	ea	
3	CB0112	tx xarm hanger steel	1	ea	
4	AB6733	pole bolt M16x400mm long with washers	4	ea	
5	CC0110	150 LV ABC clamp	3	ea	
6		PG clamp – see CN9	8	ea	
7	FL0402	lug 150 LV ABC	4	ea	
8	CE0058	earth rod clamp	1	ea	
9	CE0078	earth coupling	5	ea	
10	AB6742	pole bolt M20x550mm long with nut and washers	2	ea	
	CE7541	Dispersion plate	4	ea	
11	CE0135	earth rod	6	ea	
12	CE0201	earth box	1	ea	
13		LV ABC splice – See CN69 or CN70	1	ea	
14	FM0915	earthing kit	1	ea	
15	CJ0498	Splice 95 LV ABC to 70 Cu	1	ea	
16	FL0401	lug 95 LV ABC	11	ea	
17	FT0095	95 LV ABC cable 4Cx4m long	1	ea	
18	GS0111	LV ABC fuse box	1	ea	
19	FT0150	150 LV ABC cable 4Cx4m long	1	ea	
20		LV ABC splice – See CN69 or CN70	4	ea	
21	GS0109	Neutral Block	1	ea	
22	FE0055	Heat shrink black 35mm ID	1	mr	
23	GT0353	Transformer bushing cover	3	ea	
24	GF1100	160A fuse	3	ea	

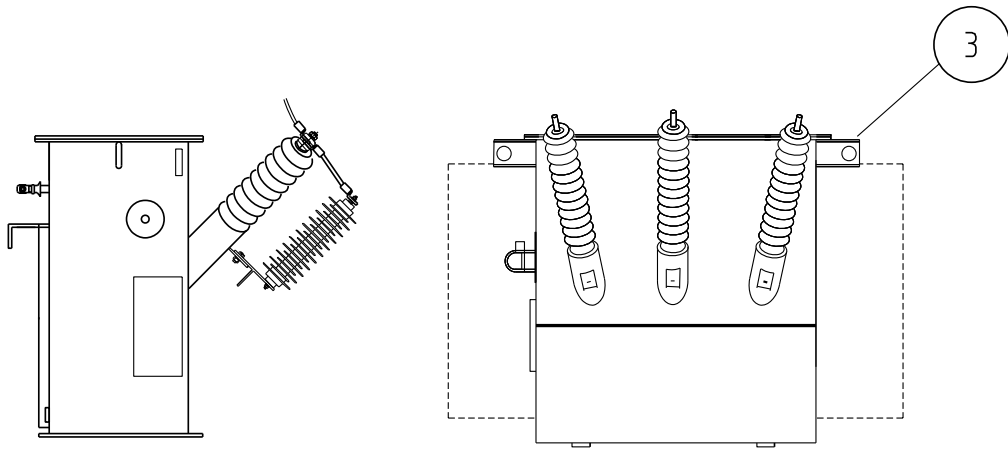
CU		CU Description			
TX2_200/11 Transformer with bare LV 200kVA 6/11kV					
ITEM NUMBER	STOCK CODE	DESCRIPTION	QTY RQD	UNIT OF MEASURE	REMARKS
1	XT0213	transformer	1	ea	
2	GA4001	surge arrester	3	ea	
3	CB0112	tx xarm hanger steel	1	ea	
4	AB6733	pole bolt M16x400mm long with washers	6	ea	
5	CC0110	150 LV ABC clamp	3	ea	
6		PG clamp – see CN9	8	ea	
7	FL0402	lug 150 LV ABC	4	ea	
8	CE0058	earth rod clamp	1	ea	
9	CE0078	earth coupling	5	ea	
10	AB6742	pole bolt M20x550mm long with nut and washers	2	ea	
	CE7541	Dispersion plate	6	ea	
11	CE0135	earth rod	6	ea	
12	CE0201	earth box	1	ea	
13		LV ABC splice – See CN69 or CN70	1	ea	
14	FM0915	earthing kit	1	ea	
15	CJ0498	Splice 95 LV ABC to 70 Cu	1	ea	
16	FL0401	lug 95 LV ABC	11	ea	
17	FT0095	95 LV ABC cable 4Cx4m long	1	ea	
18	GS0111	LV ABC fuse box	3	ea	
19	FT0150	150 LV ABC cable 4Cx4m long	2	ea	
20		LV ABC splice – See CN69 or CN70	4	ea	
21	GS0109	Neutral Block	1	ea	
22	FE0055	Heat shrink black 35mm ID	1	mr	
23	GT0353	Transformer bushing cover	3	ea	
24	GF1100	160A fuse	6	ea	
25	GF1508	630A bus conductor	3	ea	

CU		CU Description			
TX2_100/22 Transformer with bare LV 100kVA/22kV					
ITEM NUMBER	STOCK CODE	DESCRIPTION	QTY RQD	UNIT OF MEASURE	REMARKS
1	XT0217	transformer	1	ea	
2	GA4002	surge arrester	3	ea	
3	CB0112	tx xarm hanger steel	1	ea	
4	AB6733	pole bolt M16x400mm long with washers	4	ea	
5	CC0110	150 LV ABC clamp	3	ea	
6		PG clamp – see CN9	8	ea	
7	FL0402	lug 150 LV ABC	4	ea	
8	CE0058	earth rod clamp	1	ea	
9	CE0078	earth coupling	5	ea	
10	AB6742	pole bolt M20x550mm long with nut and washers	2	ea	
	CE7541	Dispersion plate	4	ea	
11	CE0135	earth rod	6	ea	
12	CE0201	earth box	1	ea	
13		LV ABC splice – See CN69 or CN70	1	ea	
14	FM0915	earthing kit	1	ea	
15	CJ0498	Splice 95 LV ABC to 70 Cu	1	ea	
16	FL0401	lug 95 LV ABC	11	ea	
17	FT0095	95 LV ABC cable 4Cx4m long	1	ea	
18	GS0111	LV ABC fuse box	1	ea	
19	FT0150	150 LV ABC cable 4Cx4m long	1	ea	
20		LV ABC splice – See CN69 or CN70	4	ea	
21	GS0109	Neutral Block	1	ea	
22	FE0055	Heat shrink black 35mm ID	1	mr	
23	GT0353	Transformer bushing cover	3	ea	
24	GF1100	160A fuse	3	ea	

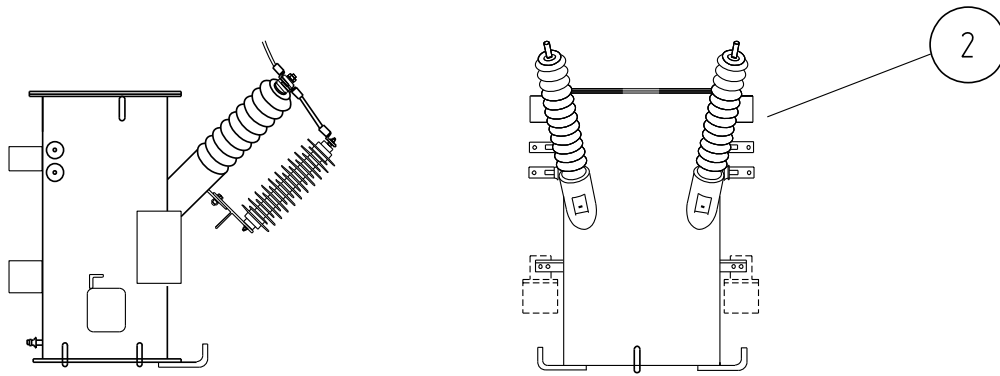
CU		CU Description			
TX2_200/22 Transformer with bare LV 200kVA/22kV					
ITEM NUMBER	STOCK CODE	DESCRIPTION	QTY RQD	UNIT OF MEASURE	REMARKS
1	XT0218	transformer	1	ea	
2	GA4002	surge arrester	3	ea	
3	CB0112	tx xarm hanger steel	1	ea	
4	AB6733	pole bolt M16x400mm long with washers	6	ea	
5	CC0110	150 LV ABC clamp	3	ea	
6		PG clamp – see CN9	8	ea	
7	FL0402	lug 150 LV ABC	4	ea	
8	CE0058	earth rod clamp	1	ea	
9	CE0078	earth coupling	5	ea	
10	AB6742	pole bolt M20x550mm long with nut and washers	2	ea	
	CE7541	Dispersion plate	6	ea	
11	CE0135	earth rod	6	ea	
12	CE0201	earth box	1	ea	
13		LV ABC splice – See CN69 or CN70	1	ea	
14	FM0915	earthing kit	1	ea	
15	CJ0498	LV ABC splice – See CN69 or CN70	1	ea	
16	FL0401	lug 95 LV ABC	11	ea	
17	FT0095	95 LV ABC cable 4Cx4m long	1	ea	
18	GS0111	LV ABC fuse box	3	ea	
19	FT0150	150 LV ABC cable 4Cx4m long	2	ea	
20		LV ABC splice – See CN69 or CN70	4	ea	
21	GS0109	Neutral Block	1	ea	
22	FE0055	Heat shrink black 35mm ID	1	mr	
23	GT0353	Transformer bushing cover	3	ea	
24	GF1100	160A fuse	6	ea	
25	GF1508	630A bus conductor	3	ea	

CU		CU Description			
TX2_100/33 Transformer with bare LV 100kVA/33kV					
ITEM NUMBER	STOCK CODE	DESCRIPTION	QTY RQD	UNIT OF MEASURE	REMARKS
1	XT0222	transformer	1	ea	
2	GA4003	surge arrester	3	ea	
3	CB0112	tx xarm hanger steel	1	ea	
4	AB6733	pole bolt M16x400mm long with washers	4	ea	
5	CC0110	150 LV ABC clamp	3	ea	
6		PG clamp – see CN9	8	ea	
7	FL0402	lug 150 LV ABC	4	ea	
8	CE0058	earth rod clamp	1	ea	
9	CE0078	earth coupling	5	ea	
10	AB6742	pole bolt M20x550mm long with nut and washers	2	ea	
	CE7541	Dispersion plate	4	ea	
11	CE0135	earth rod	6	ea	
12	CE0201	earth box	1	ea	
13		LV ABC splice – See CN69 or CN70	1	ea	
14	FM0915	earthing kit	1	ea	
15	CJ0498	Splice 95 LV ABC to 70 Cu	1	ea	
16	FL0401	lug 95 LV ABC	11	ea	
17	FT0095	95 LV ABC cable 4Cx4m long	1	ea	
18	GS0111	LV ABC fuse box	1	ea	
19	FT0150	150 LV ABC cable 4Cx4m long	1	ea	
20		LV ABC splice – See CN69 or CN70	4	ea	
21	GS0109	Neutral Block	1	ea	
22	FE0055	Heat shrink black 35mm ID	1	mr	
23	GT0353	Transformer bushing cover	3	ea	
24	GF1100	160A fuse	3	ea	

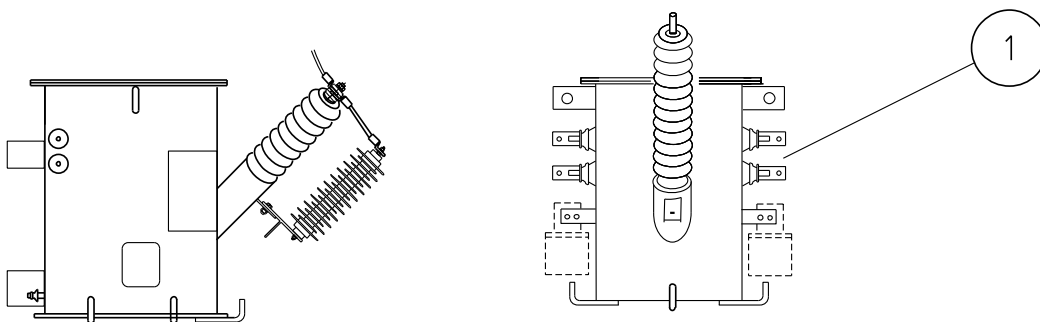
CU		CU Description			
TX2_200/33 Transformer with bare LV 200kVA/33kV					
ITEM NUMBER	STOCK CODE	DESCRIPTION	QTY RQD	UNIT OF MEASURE	REMARKS
1	XT0223	transformer	1	ea	
2	GA4003	surge arrester	3	ea	
3	CB0112	tx xarm hanger steel	1	ea	
4	AB6733	pole bolt M16x400mm long with washers	6	ea	
5	CC0110	150 LV ABC clamp	3	ea	
6		PG clamp – see CN9	8	ea	
7	FL0402	lug 150 LV ABC	4	ea	
8	CE0058	earth rod clamp	1	ea	
9	CE0078	earth coupling	5	ea	
10	AB6742	pole bolt M20x550mm long with nut and washers	2	ea	
	CE7541	Dispersion plate	6	ea	
11	CE0135	earth rod	6	ea	
12	CE0201	earth box	1	ea	
13		LV ABC splice – See CN69 or CN70	4	ea	
14	FM0915	earthing kit	1	ea	
15	CJ0498	Splice 95 LV ABC to 70 Cu	1	ea	
16	FL0401	lug 95 LV ABC	11	ea	
17	FT0095	95 LV ABC cable 4Cx4m long	1	ea	
18	GS0111	LV ABC fuse box	3	ea	
19	FT0150	150 LV ABC cable 4Cx4m long	2	ea	
20		LV ABC splice – See CN69 or CN70	4	ea	
21	GS0109	Neutral Block	1	ea	
22	FE0055	Heat shrink black 35mm ID	1	mr	
23	GT0353	Transformer bushing cover	3	ea	
24	GF1100	160A fuse	6	ea	
25	GF1508	630A bus conductor	3	ea	



THREE PHASE - THREE BUSHING

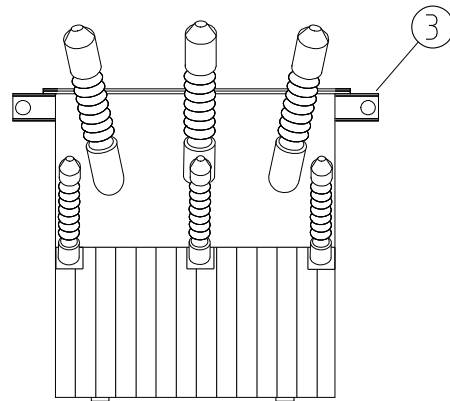
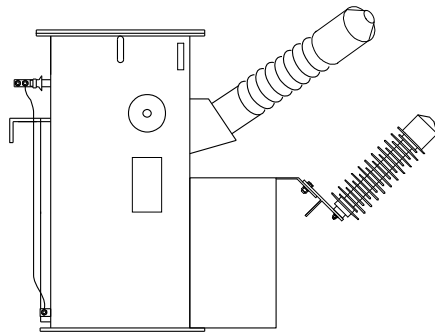


SINGLE PHASE - TWO BUSHING

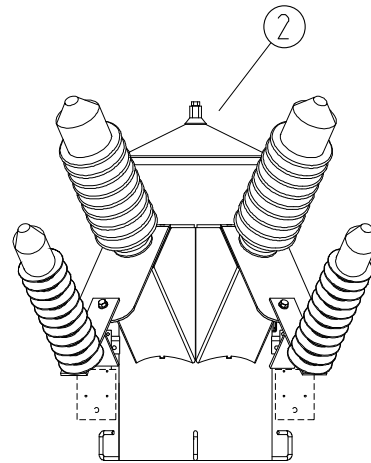
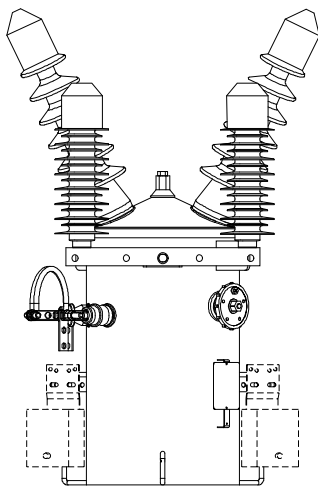


SINGLE PHASE - ONE BUSHING

				COMPATIBLE UNIT			DISTRIBUTION DESIGN CATALOGUE			
				TITLE			DRAWN: JRR		DATE: 22-04-2014	
				TRANSFORMER ONLY			ORIGINATED:		SCALE: NTS	
							CHECKED: REE		ORG. No.	
							APPROVED:		TX03	
REV	DATE	DESCRIPTION	ORGD.	CHKD.	APRD.	GRANT STACY		REV.	C	SHT.



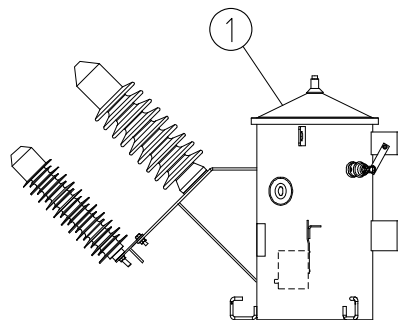
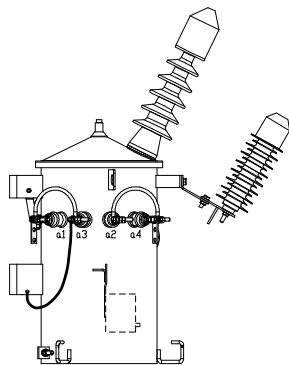
THREE PHASE - THREE BUSHING



6/11/22kV

33kV

SINGLE PHASE - TWO BUSHING



12.7kV

19.1kV

SINGLE PHASE - ONE BUSHING

				COMPATIBLE UNIT		DISTRIBUTION DESIGN CATALOGUE		westernpower	
				TITLE		DRAWN: JRR DATE: 22-04-2014 DRG. No.			
				NEW TRANSFORMER ONLY		ORIGINATED: SCALE: NTS		TX03	
						CHECKED: REE		APPROVED: GRANT STACY	
						APPROVED: GRANT STACY		REV. D SHT.	
REV	DATE	DESCRIPTION	DRG.	CHKD.	APRD.				
D	27.09.18	TRANSFORMER TYPE CHANGED		NMc	REE				
C	27.01.15	FORMAT CHANGED		JC	REE				
B	01.02.09	ORIGINAL ISSUE			GS				

CU		CU Description			
TX3_25/6 (New) Transformer 25kVA 6kV 3 bushing					
ITEM NUMBER	STOCK CODE	DESCRIPTION	QTY RQD	UNIT OF MEASURE	REMARKS
3	XT0210	transformer 25kVA	1	ea	
3	GA4000	surge arrester	3	ea	
3	GT0353	Wildlife cover	3	ea	
TX3_100/6 Transformer 100kVA 6kV 3 bushing					
ITEM NUMBER	STOCK CODE	DESCRIPTION	QTY RQD	UNIT OF MEASURE	REMARKS
3	XT0127	transformer 100 kVA	1	ea	
3	GA4000	surge arrester	3	ea	
TX3_200/6 (New) Transformer 200kVA 6kV 3 bushing					
ITEM NUMBER	STOCK CODE	DESCRIPTION	QTY RQD	UNIT OF MEASURE	REMARKS
3	XT0213	transformer 200kVA	1	ea	
3	GA4000	surge arrester	3	ea	
3	GT0353	Wildlife cover	3	ea	
TX3_315/6 Transformer 315kVA 6kV 3 bushing					
ITEM NUMBER	STOCK CODE	DESCRIPTION	QTY RQD	UNIT OF MEASURE	REMARKS
3	XT0184	transformer 315 kVA	1	ea	
3	GA4000	surge arrester	3	ea	
TX3_25/11 (New) Transformer 25kVA 11kV 3 bushing					
ITEM NUMBER	STOCK CODE	DESCRIPTION	QTY RQD	UNIT OF MEASURE	REMARKS
3	XT0210	transformer 25kVA	1	ea	
3	GA4001	surge arrester	3	ea	
3	GT0353	Wildlife cover	3	ea	
TX3_100/11 Transformer 100kVA 11 kV 3 bushing					
ITEM NUMBER	STOCK CODE	DESCRIPTION	QTY RQD	UNIT OF MEASURE	REMARKS
3	XT0127	transformer 100 kVA	1	ea	
3	GA4001	surge arrester	3	ea	

CU	CU Description
-----------	-----------------------

TX3_200/11 (New) Transformer 200kVA 11 kV 3 bushing					
ITEM NUMBER	STOCK CODE	DESCRIPTION	QTY RQD	UNIT OF MEASURE	REMARKS
3	XT0213	transformer 200kVA	1	ea	
3	GA4001	surge arrester	3	ea	
3	GT0353	Wildlife cover	3	ea	

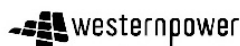
TX3_315/11 Transformer 315kVA 11kV 3 bushing					
ITEM NUMBER	STOCK CODE	DESCRIPTION	QTY RQD	UNIT OF MEASURE	REMARKS
3	XT0184	transformer 315 kVA	1	ea	
3	GA4001	surge arrester	3	ea	

TX3_25/22 (New) Transformer 25kVA / 22 kV 3 bushing					
ITEM NUMBER	STOCK CODE	DESCRIPTION	QTY RQD	UNIT OF MEASURE	REMARKS
3	XT0215	transformer 25kVA	1	ea	
3	GA4002	surge arrester	3	ea	
3	GT0353	Wild life cover	3	ea	

TX3_63/22 (New) Transformer 63kVA / 22 kV 3 bushing					
ITEM NUMBER	STOCK CODE	DESCRIPTION	QTY RQD	UNIT OF MEASURE	REMARKS
3	XT0216	transformer 63kVA	1	ea	
3	GA4002	surge arrester	3	ea	
3	GT0353	Wild life cover	3	ea	

TX3_100/22 (New) Transformer 100kVA / 22 kV 3 bushing					
ITEM NUMBER	STOCK CODE	DESCRIPTION	QTY RQD	UNIT OF MEASURE	REMARKS
3	XT0217	transformer 100 kVA	1	ea	
3	GA4002	surge arrester	3	ea	
3	GT0353	Wildlife cover	3	ea	

TX3_200/22 (New) Transformer 200kVA / 22 kV 3 bushing					
ITEM NUMBER	STOCK CODE	DESCRIPTION	QTY RQD	UNIT OF MEASURE	REMARKS
3	XT0218	transformer 200kVA	1	ea	
3	GA4002	surge arrester	3	ea	
3	GT0353	Wild life cover	3	ea	



CU	CU Description
-----------	-----------------------

TX3_315/22 (New) Transformer 315kVA / 22 kV 3 bushing					
ITEM NUMBER	STOCK CODE	DESCRIPTION	QTY RQD	UNIT OF MEASURE	REMARKS
3	XT0219	transformer 315kVA	1	ea	
3	GA4002	surge arrester	3	ea	
3	GT0353	Wild life cover	3	ea	

TX3_25/33 Transformer 25kVA / 33 kV 3 bushing					
ITEM NUMBER	STOCK CODE	DESCRIPTION	QTY RQD	UNIT OF MEASURE	REMARKS
3	XT0035	transformer 25kVA	1	ea	
3	GA4003	surge arrester	3	ea	

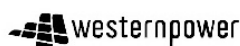
TX3_63/33 Transformer 63kVA / 33 kV 3 bushing					
ITEM NUMBER	STOCK CODE	DESCRIPTION	QTY RQD	UNIT OF MEASURE	REMARKS
3	XT0141	transformer 63kVA	1	ea	
3	GA4003	surge arrester	3	ea	

TX3_100/33 Transformer 100kVA / 33 kV 3 bushing					
ITEM NUMBER	STOCK CODE	DESCRIPTION	QTY RQD	UNIT OF MEASURE	REMARKS
3	XT0038	transformer 100kVA	1	ea	
3	GA4003	surge arrester	3	ea	

TX3_200/33 Transformer 200kVA / 33 kV 3 bushing					
ITEM NUMBER	STOCK CODE	DESCRIPTION	QTY RQD	UNIT OF MEASURE	REMARKS
3	XT0039	transformer 200kVA	1	ea	
3	GA4003	surge arrester	3	ea	

TX3_315/33 Transformer 315kVA 33 kV 3 bushing					
ITEM NUMBER	STOCK CODE	DESCRIPTION	QTY RQD	UNIT OF MEASURE	REMARKS
3	XT0181	transformer 315kVA	1	ea	
3	GA4003	surge arrester	3	ea	

TX3_10/6 Transformer 10kVA 6kV 2 bushing					
ITEM NUMBER	STOCK CODE	DESCRIPTION	QTY RQD	UNIT OF MEASURE	REMARKS
2	XT0007	transformer 10kVA	1	ea	
2	GA4000	surge arrester	2	ea	

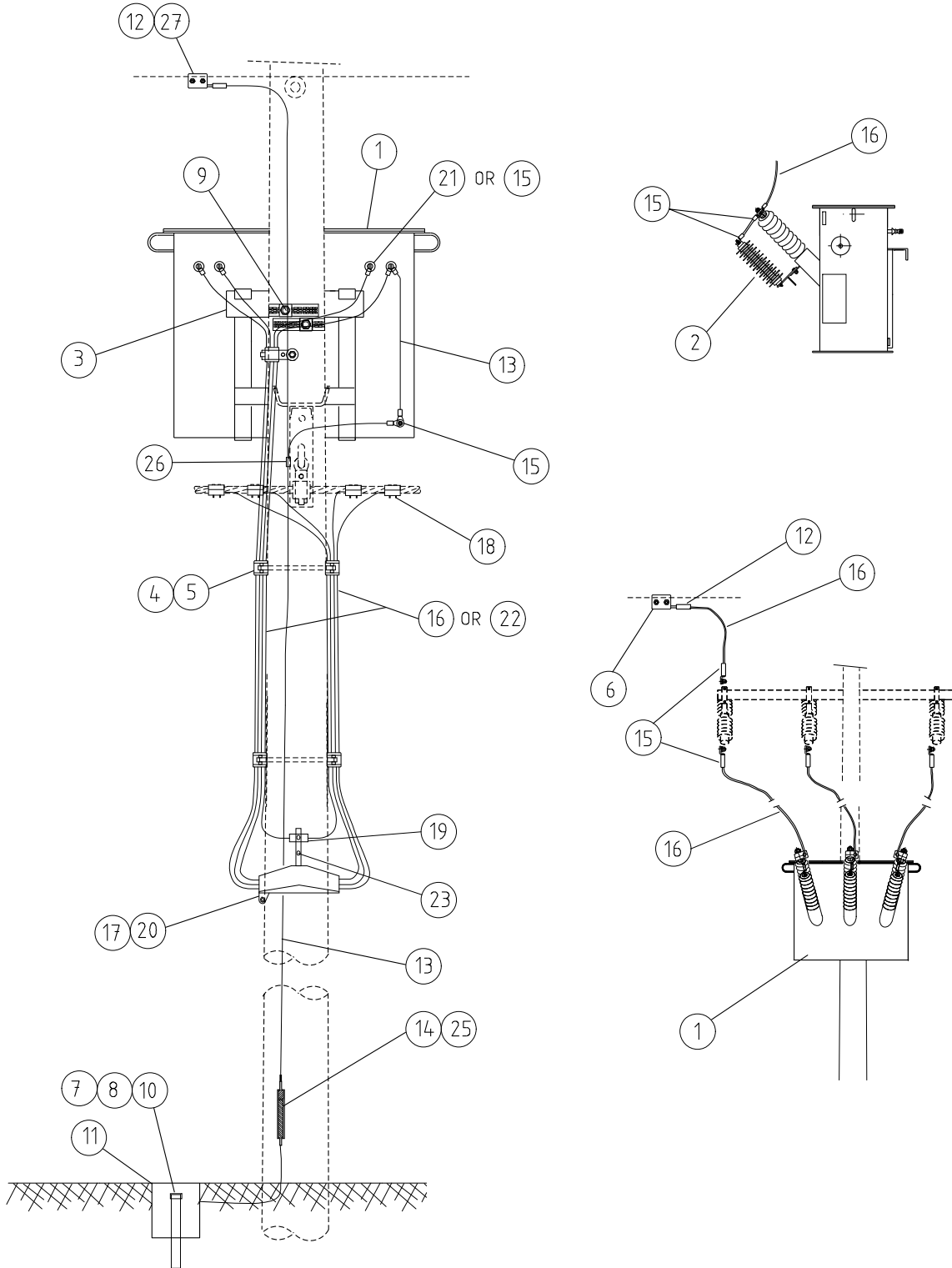


CU		CU Description			
TX3_10/11 Transformer 10kVA 11 kV 2 phase 2 bushing					
ITEM NUMBER	STOCK CODE	DESCRIPTION	QTY RQD	UNIT OF MEASURE	REMARKS
2	XT0007	transformer 10kVA	1	ea	
2	GA4001	surge arrester	2	ea	
TX3_10/12.7 (New) Transformer 10kVA/12.7 kV 1 phase 1 bushing					
ITEM NUMBER	STOCK CODE	DESCRIPTION	QTY RQD	UNIT OF MEASURE	REMARKS
1	XT0206	transformer 10kVA	1	ea	
1	GA4002	surge arrester	1	ea	
3	GT0353	Wildlife cover	1	ea	
TX3_25/12.7 (New) Transformer 25kVA / 12.7 kV 1 phase 1 bushing					
ITEM NUMBER	STOCK CODE	DESCRIPTION	QTY RQD	UNIT OF MEASURE	REMARKS
1	XT0207	transformer 25 kVA	1	ea	
1	GA4002	surge arrester	1	ea	
1	GT0353	Wildlife cover	1	ea	
TX3_10/22B2 (New) Transformer 10kVA / 22 kV 2 phase 2 bushing					
ITEM NUMBER	STOCK CODE	DESCRIPTION	QTY RQD	UNIT OF MEASURE	REMARKS
2	XT0203	transformer 10 kVA	1	ea	
2	GA4002	surge arrester	2	ea	
2	GT0353	Wild life cover	2	ea	
TX3_25/22B2 (New) Transformer 25kVA / 22 kV 2 phase 2 bushing					
ITEM NUMBER	STOCK CODE	DESCRIPTION	QTY RQD	UNIT OF MEASURE	REMARKS
2	XT0204	transformer 25 kVA	1	ea	
2	GA4002	surge arrester	2	ea	
2	GT0353	Wild life cover	2	ea	
TX3_10/19.1 (New) Transformer 10kVA / 19.1 kV 1 phase 1 bushing					
ITEM NUMBER	STOCK CODE	DESCRIPTION	QTY RQD	UNIT OF MEASURE	REMARKS
1	XT0208	transformer 10 kVA	1	ea	
1	GA4003	surge arrester	1	ea	
2	GT0353	Wild life cover	1	ea	

CU	CU Description
-----------	-----------------------

TX3_25/19.1 (New) Transformer 25kVA / 19.1 kV 1 phase 1 bushing					
ITEM NUMBER	STOCK CODE	DESCRIPTION	QTY RQD	UNIT OF MEASURE	REMARKS
1	XT0209	transformer 25 kVA	1	ea	
1	GA4003	surge arrester	1	ea	
1	GT0353	Wildlife cover	1	ea	

TX3_25/33B2 Transformer 25kVA / 33 kV 2 phase 2 bushing					
ITEM NUMBER	STOCK CODE	DESCRIPTION	QTY RQD	UNIT OF MEASURE	REMARKS
2	XT0040	transformer 25 kVA	1	ea	
2	GA4003	surge arrester	2	ea	

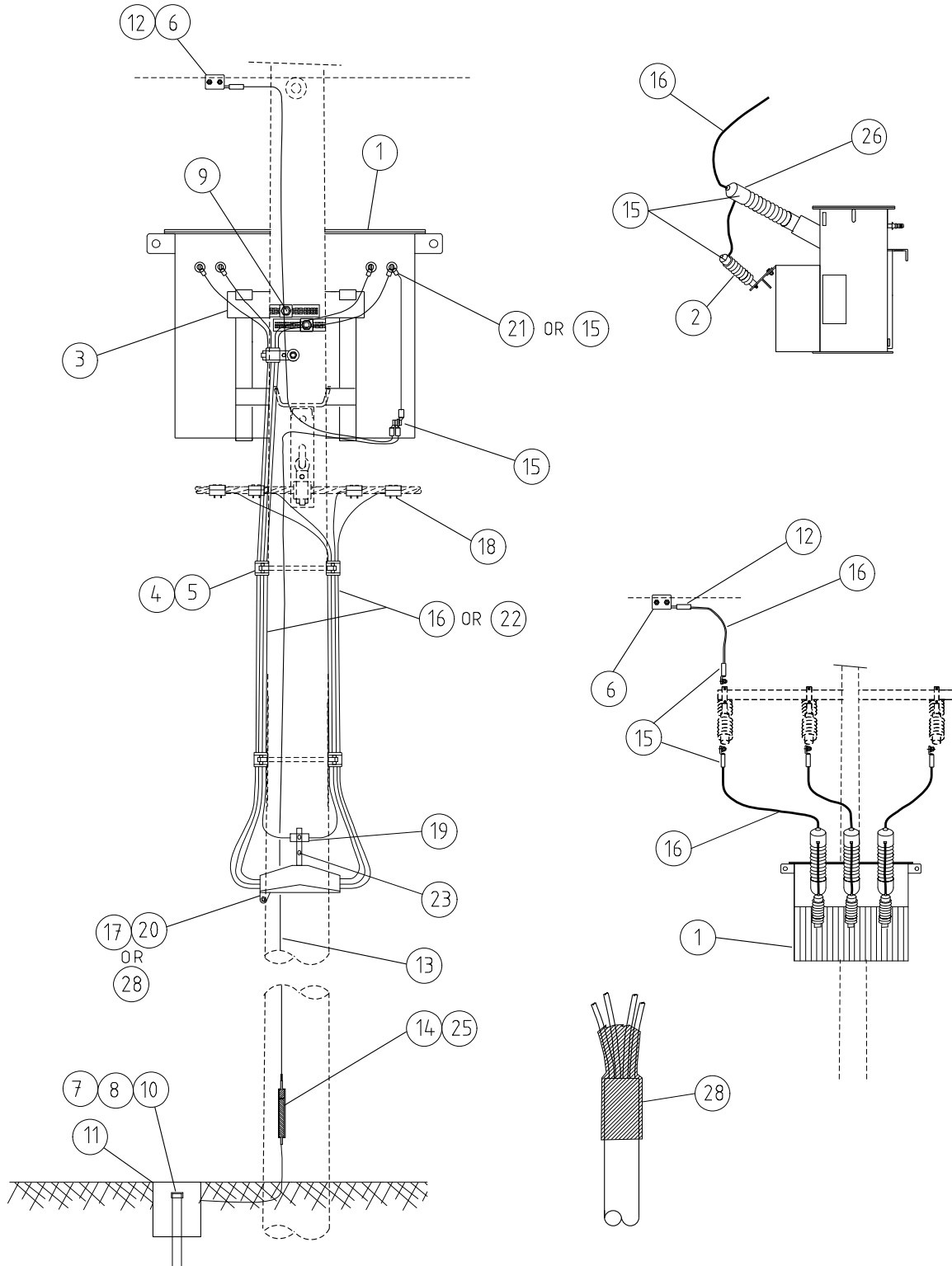


NOTE:
 1. IF USED AS TERMINATION TRANSFORMER ORDER 3x CN9
 2. FOR TRANSFORMER RE-INSTALLATION, ALL TX4 COMPATIBLE UNITS WITHOUT TRANSFORMER AND SURGE ARRESTERS ARE SHOWN IN DQM WITH 'X' AT THE END OF THE COMPATIBLE UNIT NAME.

				TITLE			COMPATIBLE UNIT		DISTRIBUTION DESIGN CATALOGUE		westernpower	
				TRANSFORMER WITH LV ABC					DRAWN: JRR		DATE: 22-04-2014 DRG. No.	
				25, 63, 100 & 200 kVA					ORIGINATED:		SCALE: NTS	
									CHECKED: REE		TX04	
									APPROVED:		REV. N SHT.	
									GRANT STACY			



Uncontrolled document when printed. Printed copy expires one week from print date.



NOTE:
 1. IF USED AS TERMINATION TRANSFORMER ORDER 3x CN9
 2. FOR TRANSFORMER RE-INSTALLATION, ALL TX4 COMPATIBLE UNITS WITHOUT TRANSFORMER AND SURGE ARRESTERS ARE SHOWN IN DQM WITH 'X' AT THE END OF THE COMPATIBLE UNIT NAME.

				COMPATIBLE UNIT			DISTRIBUTION DESIGN CATALOGUE			
				TITLE			DRAWN: JRR DATE: 22-04-2014 DRG. No.			
				NEW TRANSFORMER WITH			ORIGINATED: SCALE: NTS		TX04	
				LV ABC 25, 63, 100 & 200 kVA			CHECKED: REE		APPROVED: GRANT STACY	
				REV. DATE DESCRIPTION ORGO. CHKD. JAPRO.			APPROVED: GRANT STACY		REV. P SHIT.	

CU		CU Description			
TX4_25/11 (New) Transformer with LVABC 25kVA 6/11 kV					
ITEM NUMBER	STOCK CODE	DESCRIPTION	QTY RQD	UNIT OF MEASURE	REMARKS
1	XT0210	transformer	1	ea	
2	GA4001	surge arrester	3	ea	
3	CB0112	tx xarm hanger steel	1	ea	
4	AB6733	pole bolt M16x400mm long with washers	3	ea	
5	CC0101	95 LV ABC clamp	5	ea	
6		PG clamp see CN9	4	ea	
7	CE0058	earth rod clamp	1	ea	
8	CE0078	earth coupling	5	ea	
9	AB6742	pole bolt M20x550mm long with nut and washers	2	ea	
	CE7541	Dispersion plate	2	ea	
10	CE0135	earth rod	6	ea	
11	CE0201	earth box	1	ea	
12	CJ0494	splice 95 LV ABC with alum tail	4	ea	
13	FM0915	earthing kit	1	ea	
14	CJ0498	Splice 95 LV ABC to 70 Cu	1	ea	
15	FL0401	lug 95 LV ABC	22	ea	
16	FT0095	95 LV ABC cable 4Cx4m long	2	ea	
17	GS0111	fuse disconnecter (rated 400A)	1	ea	
18		IPC clamp – see CN65	4	ea	
19	GS0109	Neutral Block	1	ea	
20	GF2130	100amp fuse	3	ea	
23	AB6741	pole bolt M12x550mm long with nut and washers	2	ea	
25	FE0055	Heat shrink black 35mm ID	1	mr	
26	GT0353	Wild life cover	3	ea	

CU		CU Description			
TX4_25/11		Transformer with LVABC 25kVA 6/11 kV			
ITEM NUMBER	STOCK CODE	DESCRIPTION	QTY RQD	UNIT OF MEASURE	REMARKS
1	XT0008	transformer	1	ea	
2	GA4001	surge arrester	3	ea	
3	CB0112	tx xarm hanger steel	1	ea	
4	AB6733	pole bolt M16x400mm long with washers	3	ea	
5	CC0101	95 LV ABC clamp	5	ea	
6	CC0138	parallel groove alum	3	ea	
7	CE0058	earth rod clamp	1	ea	
8	CE0078	earth coupling	5	ea	
9	AB6742	pole bolt M20x550mm long with nut and washers	2	ea	
10	CE0135	earth rod	6	ea	
11	CE0201	earth box	1	ea	
12	CJ0494	splice 95 LV ABC with alum tail	4	ea	
13	FM0915	earthing kit	1	ea	
14	CJ0498	Splice 95 LV ABC to 70 Cu	1	ea	
15	FL0401	lug 95 LV ABC	22	ea	
16	FT0095	95 LV ABC cable 4Cx4m long	2	ea	
17	GS0111	fuse disconnecter (rated 400A)	1	ea	
18		IPC clamp – see CN65	4	ea	
20	GF2130	100amp fuse	3	ea	
23	AB6741	pole bolt M12x550mm long with nut and washers	2	ea	
25	FE0055	Heat shrink black 35mm ID	1	ea	
26	CC0081	IPC 95 LV ABC	1	ea	
27		PG clamp see CN9	1	ea	

CU		CU Description			
TX4_100/11		Transformer with LVABC 100kVA 6/11 kV			
ITEM NUMBER	STOCK CODE	DESCRIPTION	QTY RQD	UNIT OF MEASURE	REMARKS
1	XT0127	transformer	1	ea	
2	GA4001	surge arrester	3	ea	
3	CB0112	tx xarm hanger steel	1	ea	
4	AB6733	pole bolt M16x400mm long with washers	3	ea	
5	CC0110	150 LV ABC clamp	5	ea	
6		PG clamp see CN9	3	ea	
7	CE0058	earth rod clamp	1	ea	
8	CE0078	earth coupling	5	ea	
9	AB6742	pole bolt M20x550mm long with nut and washers	2	ea	
10	CE0135	earth rod	6	ea	
11	CE0201	earth box	1	ea	
12	CJ0494	splice 95 LV ABC with alum tail	4	ea	
13	FM0915	earthing kit	1	ea	
14	CJ0498	Splice 95 LV ABC to 70 Cu	1	ea	
15	FL0401	lug 95 LV ABC	18	ea	
16	FT0095	95 LV ABC cable 4Cx4m long	1	ea	
17	GS0111	fuse disconnecter (rated 400A)	1	ea	
18		IPC clamp – see CN65	4	ea	
19	GS0109	neutral block	1	ea	
20	GF1100	fuse 160amp	3	ea	
21	FL0402	lug 150 LV ABC	4	ea	
22	FT0150	150 LV ABC cable 4Cx4m long	1	ea	
23	AB6741	pole bolt M12x550mm long with nut and washers	2	ea	
25	FE0055	Heat shrink black 35mm ID	1	mr	
26	CC0081	IPC 95 LV ABC	1	ea	

CU		CU Description			
TX4_200/11		(New) Transformer with LVABC 200kVA 6/11 kV			
ITEM NUMBER	STOCK CODE	DESCRIPTION	QTY RQD	UNIT OF MEASURE	REMARKS
1	XT0213	transformer	1	ea	
2	GA4001	surge arrester	3	ea	
3	CB0112	tx xarm hanger steel	1	ea	
4	AB6733	pole bolt M16x400mm long with washers	3	ea	
5	CC0110	150 LV ABC clamp	5	ea	
6		PG clamp see CN9	4	ea	
7	CE0058	earth rod clamp	1	ea	
8	CE0078	earth coupling	5	ea	
9	AB6742	pole bolt M20x550mm long with nut and washers	2	ea	
	CE7541	Dispersion plate	2	ea	
10	CE0135	earth rod	6	ea	
11	CE0201	earth box	1	ea	
12	CJ0494	splice 95 LV ABC with alum tail	4	ea	
13	FM0915	earthing kit	1	ea	
14	CJ0498	Splice 95 LV ABC to 70 Cu	1	ea	
15	FL0401	lug 95 LV ABC	18	ea	
16	FT0095	95 LV ABC cable 4Cx4m long	1	ea	
17	GS0111	fuse disconnecter (rated 400A)	1	ea	
18		IPC clamp – see CN65	4	ea	
19	GS0109	neutral block	1	ea	
20	GF1101	fuse 315amp	3	ea	
21	FL0402	lug 150 LV ABC	4	ea	
22	FT0150	150 LV ABC cable 4Cx4m long	1	ea	
23	AB6741	pole bolt M12x550mm long with nut and washers	2	ea	
25	FE0055	Heat shrink black 35mm ID	1	mr	
26	GT0353	Wildlife cover	3	ea	

CU		CU Description			
TX4_25/22		(New) Transformer with LVABC 25kVA / 22 kV			
ITEM NUMBER	STOCK CODE	DESCRIPTION	QTY RQD	UNIT OF MEASURE	REMARKS
1	XT0215	transformer	1	ea	
2	GA4002	surge arrester	3	ea	
3	CB0112	tx xarm hanger steel	1	ea	
4	AB6733	pole bolt M16x400mm long with washers	3	ea	
5	CC0101	95 LV ABC clamp	5	ea	
6		PG clamp see CN9	4	ea	
7	CE0058	earth rod clamp	1	ea	
8	CE0078	earth coupling	5	ea	
9	AB6742	pole bolt M20x550mm long with nut and washers	2	ea	
	CE7541	Dispersion plate	2	ea	
10	CE0135	earth rod	6	ea	
11	CE0201	earth box	1	ea	
12	CJ0494	splice 95 LV ABC with alum tail	4	ea	
13	FM0915	earthing kit	1	ea	
14	CJ0498	Splice 95 LV ABC to 70 Cu	1	ea	
15	FL0401	lug 95 LV ABC	22	ea	
16	FT0095	95 LV ABC cable 4Cx4m long	2	ea	
17	GS0111	fuse disconnecter (rated 400A)	1	ea	
18		IPC clamp – see CN65	4	ea	
19	GS0109	neutral block	1	ea	
20	GF2130	100amp fuse	3	ea	
23	AB6741	pole bolt M12x550mm long with nut and washers	2	ea	
25	FE0055	Heat shrink black 35mm ID	1	mr	
26	GT0353	Wild life cover	3	ea	

CU		CU Description			
TX4_63/22 (New) Transformer with LVABC 63 kVA / 22 kV					
ITEM NUMBER	STOCK CODE	DESCRIPTION	QTY RQD	UNIT OF MEASURE	REMARKS
1	XT0216	transformer	1	ea	
2	GA4002	surge arrester	3	ea	
3	CB0112	tx xarm hanger steel	1	ea	
4	AB6733	pole bolt M16x400mm long with washers	3	ea	
5	CC0101	95 LV ABC clamp	5	ea	
6		PG clamp see CN9	4	ea	
7	CE0058	earth rod clamp	1	ea	
8	CE0078	earth coupling	5	ea	
9	AB6742	pole bolt M20x550mm long with nut and washers	2	ea	
	CE7541	Dispersion plate	2	ea	
10	CE0135	earth rod	6	ea	
11	CE0201	earth box	1	ea	
12	CJ0494	splice 95 LV ABC with alum tail	4	ea	
13	FM0915	earthing kit	1	ea	
14	CJ0498	Splice 95 LV ABC to 70 Cu	1	ea	
15	FL0401	lug 95 LV ABC	22	ea	
16	FT0095	95 LV ABC cable 4Cx4m long	2	ea	
17	GS0111	fuse disconnecter (rated 400A)	1	ea	
18		IPC clamp – see CN65	4	ea	
19	GS0109	neutral block	1	ea	
20	GF2130	100amp fuse	3	ea	
23	AB6741	pole bolt M12x550mm long with nut and washers	2	ea	
25	FE0055	Heat shrink black 35mm ID	1	mr	
26	GT0353	Wild life cover	3	ea	

CU		CU Description			
TX4_100/22 (New) Transformer with LVABC 100 kVA / 22 kV					
ITEM NUMBER	STOCK CODE	DESCRIPTION	QTY RQD	UNIT OF MEASURE	REMARKS
1	XT0217	transformer	1	ea	
2	GA4002	surge arrester	3	ea	
3	CB0112	tx xarm hanger steel	1	ea	
4	AB6733	pole bolt M16x400mm long with washers	3	ea	
5	CC0110	150 LV ABC clamp	5	ea	
6		PG clamp see CN9	4	ea	
7	CE0058	earth rod clamp	1	ea	
8	CE0078	earth coupling	5	ea	
9	AB6742	pole bolt M20x550mm long with nut and washers	2	ea	
	CE7541	Dispersion plate	2	ea	
10	CE0135	earth rod	6	ea	
11	CE0201	earth box	1	ea	
12	CJ0494	splice 95 LV ABC with alum tail	4	ea	
13	FM0915	earthing kit	1	ea	
14	CJ0498	Splice 95 LV ABC to 70 Cu	1	ea	
15	FL0401	lug 95 LV ABC	18	ea	
16	FT0095	95 LV ABC cable 4Cx4m long	1	ea	
17	GS0111	fuse disconnecter (rated 400A)	1	ea	
18		IPC clamp – see CN65	4	ea	
19	GS0109	neutral block	1	ea	
20	GF1100	fuse 160amp	3	ea	
21	FL0402	lug 150 LV ABC	4	ea	
22	FT0150	150 LV ABC cable 4Cx4m long	1	ea	
23	AB6741	pole bolt M12x550mm long with nut and washers	2	ea	
25	FE0055	Heat shrink black 35mm ID	1	mr	
26	GT0353	Wildlife cover	3	ea	

CU		CU Description			
TX4_100/22S (New) Transformer with LVABC 100 kVA / 22 kV Sole Use					
ITEM NUMBER	STOCK CODE	DESCRIPTION	QTY RQD	UNIT OF MEASURE	REMARKS
1	XT0217	transformer	1	ea	
2	GA4002	surge arrester	3	ea	
3	CB0112	tx xarm hanger steel	1	ea	
4	AB6733	pole bolt M16x400mm long with washers	3	ea	
5	CC0110	150 LV ABC clamp	3	ea	
6		PG clamp see CN9	4	ea	
7	CE0058	earth rod clamp	1	ea	
8	CE0078	earth coupling	5	ea	
9	AB6742	pole bolt M20x550mm long with nut and washers	2	ea	
	CE7541	Dispersion plate	2	ea	
10	CE0135	earth rod	6	ea	
11	CE0201	earth box	1	ea	
12	CJ0494	splice 95 LV ABC with alum tail	4	ea	
13	FM0915	earthing kit	1	ea	
14	CJ0498	Splice 95 LV ABC to 70 Cu	1	ea	
15	FL0401	lug 95 LV ABC	16	ea	
16	FT0095	95 LV ABC cable 4Cx4m long	2	ea	
25	FE0055	Heat shrink black 35mm ID	1	mr	
26	GT0353	Wildlife cover	3	ea	
28	FC0499	Splice kit LV ABC to	1	ea	

CU		CU Description			
TX4_200/22 (New) Transformer with LVABC 200kVA / 22 kV					
ITEM NUMBER	STOCK CODE	DESCRIPTION	QTY RQD	UNIT OF MEASURE	REMARKS
1	XT0218	transformer	1	ea	
2	GA4002	surge arrester	3	ea	
3	CB0112	tx xarm hanger steel	1	ea	
4	AB6733	pole bolt M16x400mm long with washers	3	ea	
5	CC0110	150 LV ABC clamp	5	ea	
6		PG clamp see CN9	4	ea	
7	CE0058	earth rod clamp	1	ea	
8	CE0078	earth coupling	5	ea	
9	AB6742	pole bolt M20x550mm long with nut and washers	2	ea	
	CE7541	Dispersion plate	2	ea	
10	CE0135	earth rod	6	ea	
11	CE0201	earth box	1	ea	
12	CJ0494	splice 95 LV ABC with alum tail	4	ea	
13	FM0915	earthing kit	1	ea	
14	CJ0498	Splice 95 LV ABC to 70 Cu	1	ea	
15	FL0401	lug 95 LV ABC	18	ea	
16	FT0095	95 LV ABC cable 4Cx4m long	1	ea	
17	GS0111	fuse disconnecter (rated 400A)	1	ea	
18		IPC clamp – see CN65	4	ea	
19	GS0109	neutral block	1	ea	
20	GF1101	fuse 315amp	3	ea	
21	FL0402	lug 150 LV ABC	4	ea	
22	FT0150	150 LV ABC cable 4Cx4m long	1	ea	
23	AB6741	pole bolt M12x550mm long with nut and washers	2	ea	
25	FE0055	Heat shrink black 35mm ID	1	mr	
26	GT0353	Wild life cover	3	ea	

CU		CU Description			
TX4_200/22S (New) Transformer with LVABC 200 kVA / 22 kV Sole Use					
ITEM NUMBER	STOCK CODE	DESCRIPTION	QTY RQD	UNIT OF MEASURE	REMARKS
1	XT0218	transformer	1	ea	
2	GA4002	surge arrester	3	ea	
3	CB0112	tx xarm hanger steel	1	ea	
4	AB6733	pole bolt M16x400mm long with washers	3	ea	
5	CC0110	150 LV ABC clamp	3	ea	
6		PG clamp see CN9	4	ea	
7	CE0058	earth rod clamp	1	ea	
8	CE0078	earth coupling	5	ea	
9	AB6742	pole bolt M20x550mm long with nut and washers	2	ea	
	CE7541	Dispersion plate	2	ea	
10	CE0135	earth rod	6	ea	
11	CE0201	earth box	1	ea	
12	CJ0494	splice 95 LV ABC with alum tail	4	ea	
13	FM0915	earthing kit	1	ea	
14	CJ0498	Splice 95 LV ABC to 70 Cu	1	ea	
15	FL0402	Lug 150 LV ABC	16	ea	
16	FT0150	150 LV ABC cable 4Cx4m long	1	ea	
17	FC0498	Splice kit LV ABC to	1	ea	
25	FE0055	Heat shrink black 35mm ID	1	mr	
26	GT0353	Wild life cover	3	ea	
28	FC0499	Splice kit LV ABC to	1	ea	

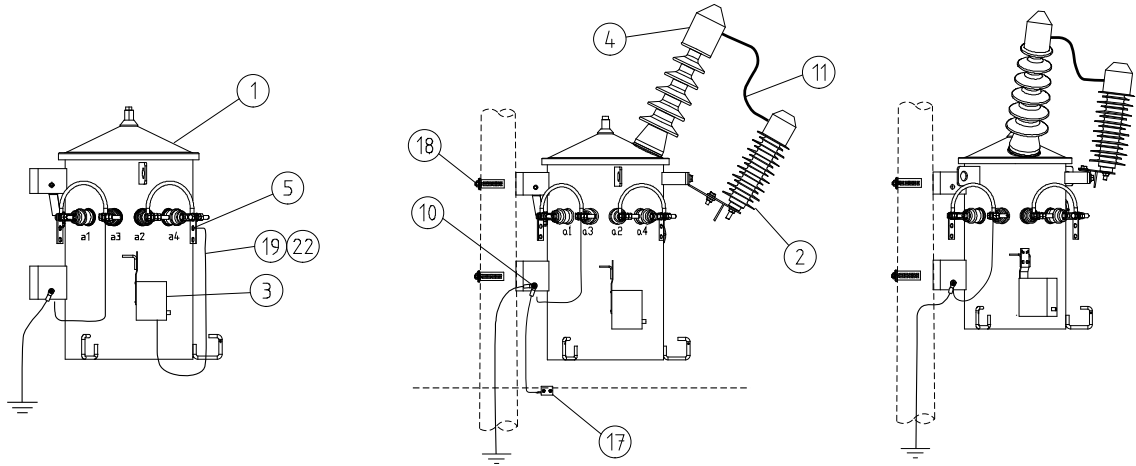
CU	CU Description
-----------	-----------------------

TX4_25/33		Transformer with LVABC 25kVA / 33 kV			
ITEM NUMBER	STOCK CODE	DESCRIPTION	QTY RQD	UNIT OF MEASURE	REMARKS
1	XT0035	transformer	1	ea	
2	GA4003	surge arrester	3	ea	
3	CB0112	tx xarm hanger steel	1	ea	
4	AB6733	pole bolt M16x400mm long with washers	3	ea	
5	CC0101	95 LV ABC clamp	5	ea	
6	CC0138	parallel groove alum	3	ea	
7	CE0058	earth rod clamp	1	ea	
8	CE0078	earth coupling	5	ea	
9	AB6742	pole bolt M20x550mm long with nut and washers	2	ea	
10	CE0135	earth rod	6	ea	
11	CE0201	earth box	1	ea	
12	CJ0494	splice 95 LV ABC with alum tail	3	ea	
13	FM0915	earthing kit	1	ea	
14	CJ0498	Splice 95 LV ABC to 70 Cu	1	ea	
15	FL0401	lug 95 LV ABC	22	ea	
16	FT0095	95 LV ABC cable 4Cx4m long	2	ea	
17	GS0111	fuse disconnecter (rated 400A)	1	ea	
18		IPC clamp – see CN65	4	ea	
20	GF2130	100amp fuse	3	ea	
23	AB6741	pole bolt M12x550mm long with nut and washers	2	ea	
25	FE0055	Heat shrink black 35mm ID	1	ea	
26	CC0081	IPC 95 LV ABC	1	ea	
27		PG clamp see CN9	1	ea	

CU		CU Description			
TX4_63/33		Transformer with LVABC 63 kVA / 33 kV			
ITEM NUMBER	STOCK CODE	DESCRIPTION	QTY RQD	UNIT OF MEASURE	REMARKS
1	XT0141	transformer	1	ea	
2	GA4003	surge arrester	3	ea	
3	CB0112	tx xarm hanger steel	1	ea	
4	AB6733	pole bolt M16x400mm long with washers	3	ea	
5	CC0101	95 LV ABC clamp	5	ea	
6	CC0138	parallel groove alum	3	ea	
7	CE0058	earth rod clamp	1	ea	
8	CE0078	earth coupling	5	ea	
9	AB6742	pole bolt M20x550mm long with nut and washers	2	ea	
10	CE0135	earth rod	6	ea	
11	CE0201	earth box	1	ea	
12	CJ0494	splice 95 LV ABC with alum tail	3	ea	
13	FM0915	earthing kit	1	ea	
14	CJ0498	Splice 95 LV ABC to 70 Cu	1	ea	
15	FL0401	lug 95 LV ABC	22	ea	
16	FT0095	95 LV ABC cable 4Cx4m long	2	ea	
17	GS0111	fuse disconnecter (rated 400A)	1	ea	
18		IPC clamp – see CN65	4	ea	
20	GF2130	100amp fuse	3	ea	
23	AB6741	pole bolt M12x550mm long with nut and washers	2	ea	
25	FE0055	Heat shrink black 35mm ID	1	ea	
26	CC0081	IPC 95 LV ABC	1	ea	
27		PG clamp see CN9	1	ea	

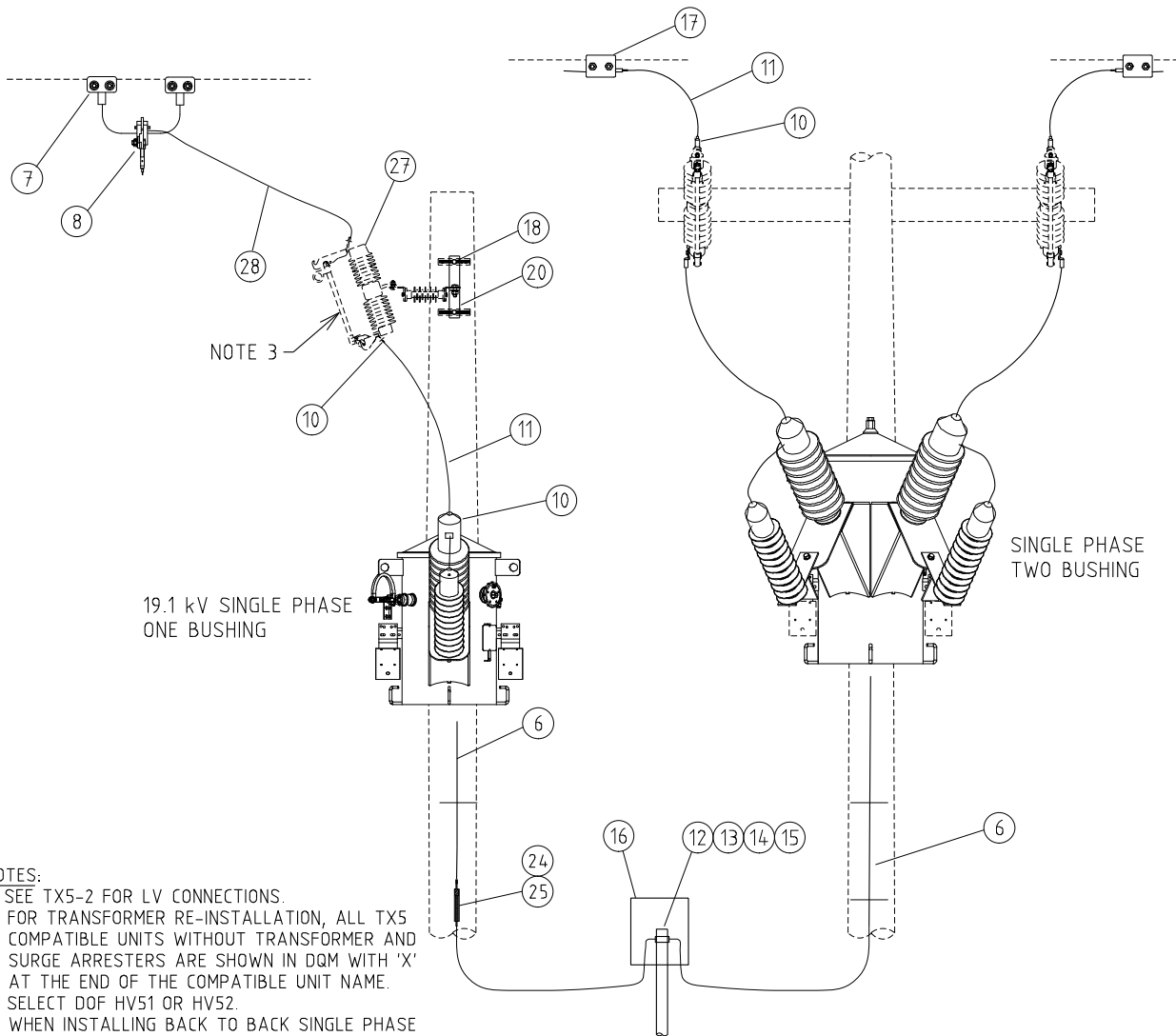
CU		CU Description			
TX4_100/33		Transformer with LVABC 100 kVA / 33 kV			
ITEM NUMBER	STOCK CODE	DESCRIPTION	QTY RQD	UNIT OF MEASURE	REMARKS
1	XT0038	transformer	1	ea	
2	GA4003	surge arrester	3	ea	
3	CB0112	tx xarm hanger steel	1	ea	
4	AB6733	pole bolt M16x400mm long with washers	3	ea	
5	CC0110	150 LV ABC clamp	5	ea	
6	CC0138	parallel groove alum	3	ea	
7	CE0058	earth rod clamp	1	ea	
8	CE0078	earth coupling	5	ea	
9	AB6742	pole bolt M20x550mm long with nut and washers	2	ea	
10	CE0135	earth rod	6	ea	
11	CE0201	earth box	1	ea	
12	CJ0494	splice 95 LV ABC with alum tail	4	ea	
13	FM0915	earthing kit	1	ea	
14	CJ0498	Splice 95 LV ABC to 70 Cu	1	ea	
15	FL0401	lug 95 LV ABC	18	ea	
16	FT0095	95 LV ABC cable 4Cx4m long	1	ea	
17	GS0111	fuse disconnecter (rated 400A)	1	ea	
18		IPC clamp – see CN65	4	ea	
19	GS0109	neutral block	1	ea	
20	GF1100	fuse 160amp	3	ea	
21	FL0402	lug 150 LV ABC	4	ea	
22	FT0150	150 LV ABC cable 4Cx4m long	1	ea	
23	AB6741	pole bolt M12x550mm long with nut and washers	2	ea	
25	FE0055	Heat shrink black 35mm ID	1	ea	
26	CC0081	IPC 95 LV ABC	1	ea	
27		PG clamp see CN9	1	ea	

CU		CU Description			
TX4_200/33		Transformer with LVABC 200kVA / 33 kV			
ITEM NUMBER	STOCK CODE	DESCRIPTION	QTY RQD	UNIT OF MEASURE	REMARKS
1	XT0039	transformer	1	ea	
2	GA4003	surge arrester	3	ea	
3	CB0112	tx xarm hanger steel	1	ea	
4	AB6733	pole bolt M16x400mm long with washers	3	ea	
5	CC0110	150 LV ABC clamp	5	ea	
6	CC0138	parallel groove alum	3	ea	
7	CE0058	earth rod clamp	1	ea	
8	CE0078	earth coupling	5	ea	
9	AB6742	pole bolt M20x550mm long with nut and washers	2	ea	
10	CE0135	earth rod	6	ea	
11	CE0201	earth box	1	ea	
12	CJ0494	splice 95 LV ABC with alum tail	4	ea	
13	FM0915	earthing kit	1	ea	
14	CJ0498	Splice 95 LV ABC to 70 Cu	1	ea	
15	FL0401	lug 95 LV ABC	18	ea	
16	FT0095	95 LV ABC cable 4Cx4m long	1	ea	
17	GS0111	fuse disconnecter (rated 400A)	1	ea	
18		IPC clamp – see CN65	4	ea	
19	GS0109	neutral block	1	ea	
20	GF1101	fuse 315amp	3	ea	
21	FL0402	lug 150 LV ABC	4	ea	
22	FT0150	150 LV ABC cable 4Cx4m long	1	ea	
23	AB6741	pole bolt M12x550mm long with nut and washers	2	ea	
25	FE0055	Heat shrink black 35mm ID	1	ea	
26	CC0081	IPC 95 LV ABC	1	ea	
27		PG clamp see CN9	1	ea	



12.7kV SINGLE PHASE ONE BUSHING

SINGLE PHASE TWO BUSHING



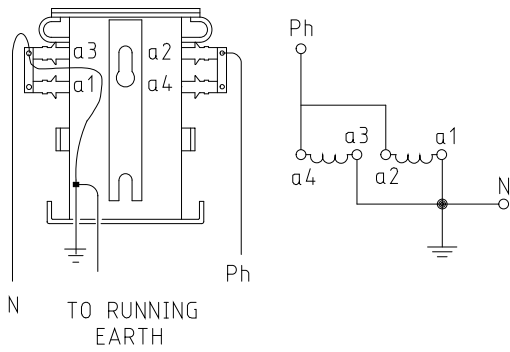
19.1 kV SINGLE PHASE ONE BUSHING

SINGLE PHASE TWO BUSHING

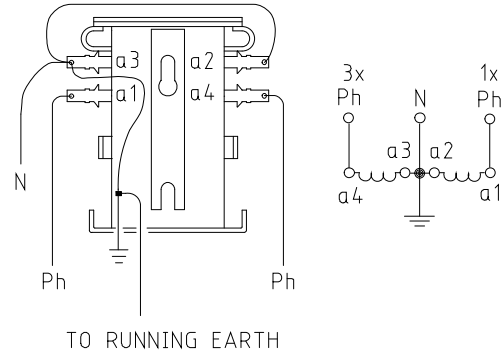
NOTES:

1. SEE TX5-2 FOR LV CONNECTIONS.
2. FOR TRANSFORMER RE-INSTALLATION, ALL TX5 COMPATIBLE UNITS WITHOUT TRANSFORMER AND SURGE ARRESTERS ARE SHOWN IN DQM WITH 'X' AT THE END OF THE COMPATIBLE UNIT NAME.
3. SELECT DOF HV51 OR HV52.
4. WHEN INSTALLING BACK TO BACK SINGLE PHASE DUAL HV BUSHING TRANSFORMERS BE AWARE OF OPPOSITE/REVERSED PHASE CONNECTIONS ON THE HV AND THE RESULTANT LV WIRING REQUIRED.

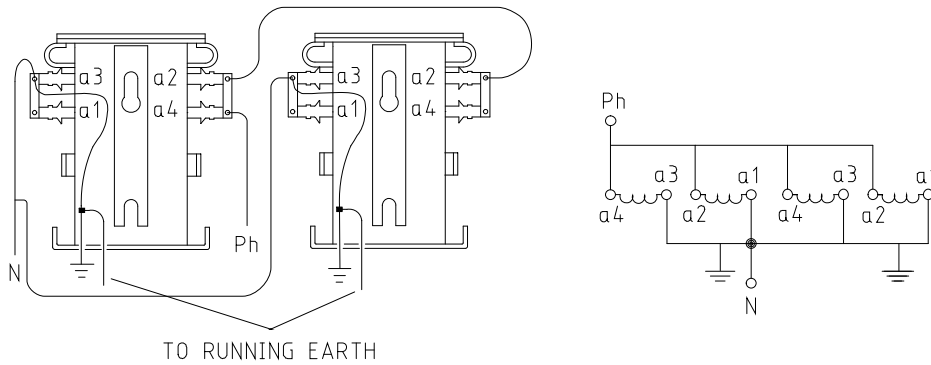
				COMPATIBLE UNIT		DISTRIBUTION DESIGN CATALOGUE				
N	08.02.19	ITEM NUMBERS & CU DESCRIPTION REVISED	NMc	NN	GS	DRAWN:	JRR	DATE:	12-03-2014	DRG. No.
M	12.07.08	TRANSFORMER TYPE & EARTHING SYSTEM CHANGED	NMc	REE	FK	ORIGINATED:		SCALE:	NTS	TX5-1
L	21.12.16	NOTE 2 ADDED	JC	CO	GS	CHECKED:	REE	APPROVED:		
K	18.04.16	TITLE CHANGED & ITEM 21, 22 & 23 ADDED	JC	REE	GS	GRANT STACY		REV.	N	
REV	DATE	DESCRIPTION	ORGD.	CHKD.	APRD.					



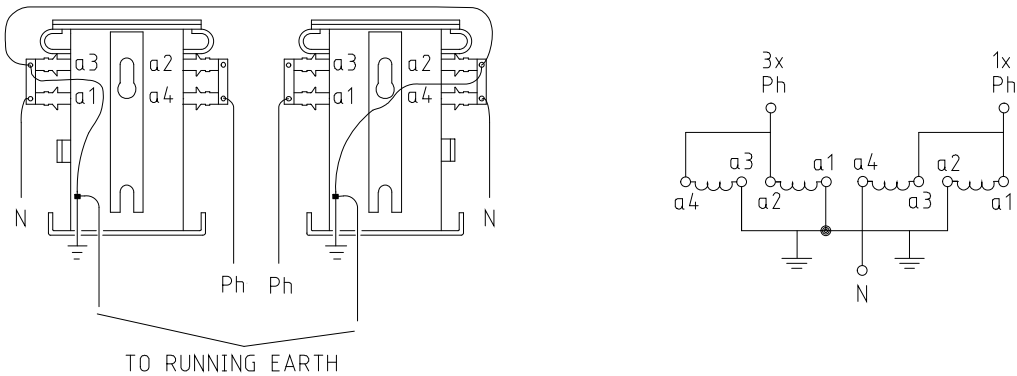
CONNECTION FOR 240V LV SUPPLY



CONNECTION FOR 480V LV SUPPLY



PARALLEL TX's FOR 240V LV SUPPLY

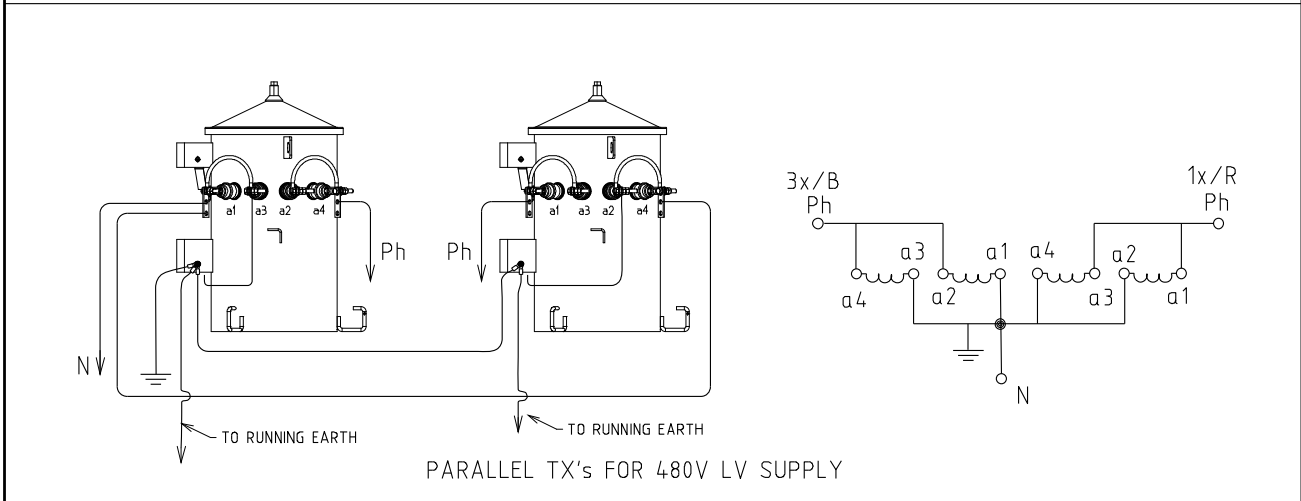
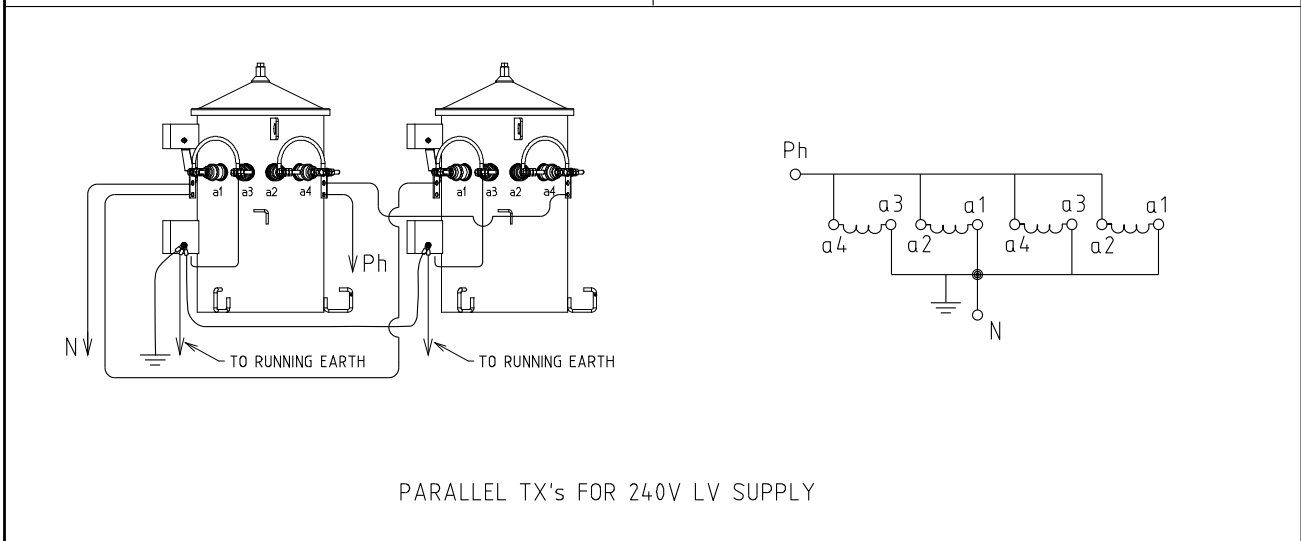
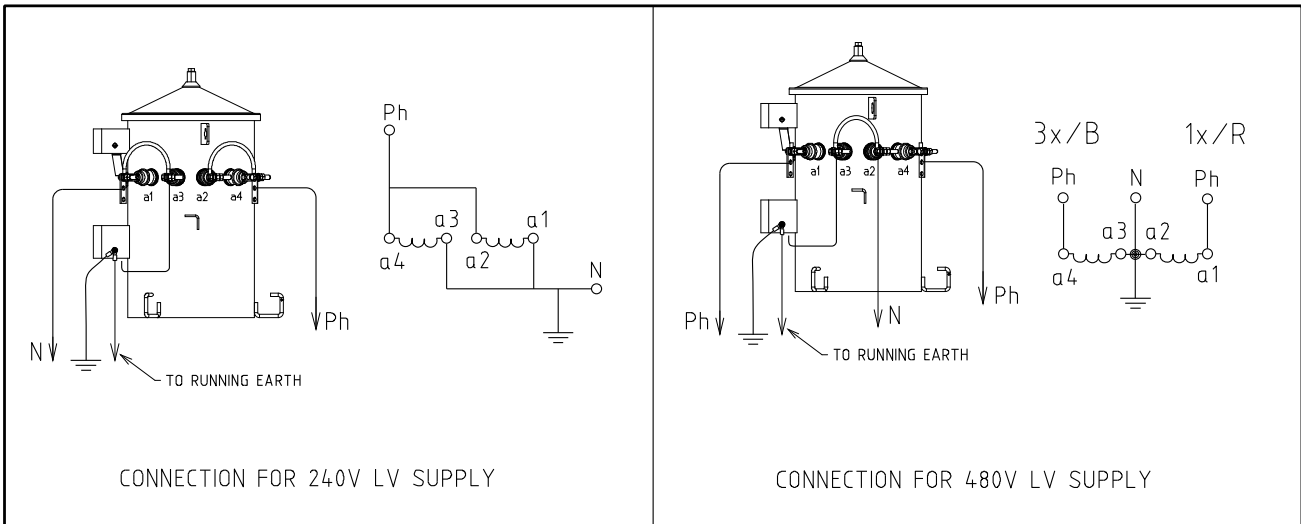


PARALLEL TX's FOR 480V LV SUPPLY

NOTES:

1. PARALLEL TRANSFORMERS CONNECTIONS BASED ON PRIMARY CONFIGURATION IN PHASE.
2. X - NUMBER OF RIBS OR CORE IDENTIFICATION NUMBER.
3. FOR TRANSFORMER RE-INSTALLATION, ALL TX5 COMPATIBLE UNITS WITHOUT TRANSFORMER AND SURGE ARRESTERS ARE SHOWN IN DQM WITH 'X' AT THE END OF THE COMPATIBLE UNIT NAME.

				COMPATIBLE UNIT			DISTRIBUTION DESIGN CATALOGUE		westernpower		
				TITLE							
D	21.12.16	NOTE 3 ADDED	JC	CO	GS	EARTH & LV PHASE CONNECTIONS			DRAWN: JRR	DATE: 22-04-2014	ORG. No.
C	18.04.16	FORMAT CHANGED	JC	REE	GS	1 & 2 HV BUSHING TRANSFORMERS			ORIGINATED:	SCALE: NTS	TX5/2
B	18.01.10	ORIGINAL ISSUE							CHECKED: REE		
REV	DATE	DESCRIPTION	DRG.	CHKD.	APPR.				APPROVED: GRANT STACY	REV. D	SHT.



NOTES:-

1. PARALLEL TRANSFORMER CONNECTIONS BASED ON PRIMARY CONFIGURATION IN PHASE.
2. 'x' NUMBER OF RIBS OR CORE IDENTIFICATION NUMBER.
3. FOR TRANSFORMER RE-INSTALLATION, ALL TX5 COMPATIBLE UNITS WITHOUT TRANSFORMER AND SURGE ARRESTERS ARE SHOWN IN DQM WITH 'X' AT THE END OF THE COMPATIBLE UNIT NAME.

				COMPATIBLE UNIT			DISTRIBUTION DESIGN CATALOGUE			
				EARTH & LV PHASE CONNECTIONS			DRAWN: JRR DATE: 22-04-2014 DRG. No.			
				1 & 2 HV BUSHING			ORIGINATED: SCALE: NTS		TX5-2	
				NEW TRANSFORMERS			CHECKED: REE		APPROVED: GRANT STACY	
							REV. E		ISHT.	
REV	DATE	DESCRIPTION	ORGD.	CHKD.	APRD.					
E	12.07.18	TRANSFORMER TYPE CHANGED	NMc	REE	FK					
D	21.12.16	NOTE 3 ADDED	JC	CO	GS					
C	18.04.16	FORMAT CHANGED	JC	REE	GS					
B	18.01.10	ORIGINAL ISSUE								

CU		CU Description			
TX5_10/11B2 (Old) Transformer 10 kVA / 11 kV 1 phase 2 bushing 240V					
ITEM NUMBER	STOCK CODE	DESCRIPTION	QTY RQD	UNIT OF MEASURE	REMARKS
1	XT0007	transformer 10kVA	1	ea	
2	GA4001	surge arrester	2	ea	
3	GF1801	fuse holder 100amp	1	ea	
4	GF1510	Link copper	2	ea	
6	FL1448	lug copper	3	ea	
7	FM0915	earthing kit	1	ea	
10	EE1201	25mm cond. Tx tap black	3	mr	
11	FL0401	lug 95 LV ABC	13	ea	
12	FT0095	95 LV ABC cable 4Cx4m long	1	ea	
13	CE0058	earth rod clamp	2	ea	
14	CE0078	earth coupling	5	ea	
15	CE0116	driving point for earth rods	0	ea	See Note 1
16	CE0135	earth rod	6	ea	
17	CE0201	earth box	1	ea	
18	CJ0494	splice 95 LV ABC with alum tail	3	ea	
19	AB6732	pole bolt M16x550mm long with nut and washers	2	ea	
20	EE1203	25mm cable, red	2	mr	
22	FE0102	Heat shrink red 15mm ID x 1.2m	2	ea	
23	FE0071	Heat shrink black 15mm ID	3	ea	
24	FL1430	16mm ² copper lug	1	ea	
25	CC0081	Insulation Piercing Clamp	1	ea	
26	FE0055	Heat shrink black 35mm ID	1	ea	
27	CJ0498	Splice 95 LV ABC to 70 Cu	1	ea	

CU		CU Description			
TX5_10/12.7 (New) Transformer 10 kVA / 12.7kV 1 phase 1 bushing 240V					
ITEM NUMBER	STOCK CODE	DESCRIPTION	QTY RQD	UNIT OF MEASURE	REMARKS
1	XT0206	transformer 10 kVA	1	ea	
2	GA4002	surge arrester	1	ea	
3	GF1801	fuse holder 100amp	1	ea	
4	GT0353	Wildlife cover	1	ea	
5	FL1448	lug copper	2	ea	
6	FM0915	earthing kit	1	ea	
7	FC0101	stirrup	1	ea	
8	CC0497	live line clamp	1	ea	
10	FL0401	lug 95 LV ABC	6	ea	
11	FT0095	95 LV ABC cable 4Cx4m long	1	ea	
12	CE0058	earth rod clamp	1	ea	
13	CE0078	earth coupling	5	ea	
14	CE0116	driving point for earth rods	0	ea	See Note 1
15	CE0135	earth rod	6	ea	
16	CE0201	earth box	1	ea	
17	CJ0494	splice 95 LV ABC with alum tail	1	ea	
		PG Clamp – See CN9	1	ea	
18	AB6732	pole bolt M16x550mm long with nut and washers	4	ea	
	CE7541	Dispersion plate	4	ea	
19	EE1203	25mm cable, red	2	mr	
20	CB0240	DOF bracket	1	ea	
22	FE0102	Heat shrink red 15mm ID x 1.2m	2	lg	
24	FE0055	Heat shrink black 35mm ID	1	mr	
25	CJ0498	Splice 95 LV ABC to 70 Cu	1	ea	
27	FL1430	16mm ² copper lug	1	ea	
28	EE0122	16mm ² XLPE	2	mr	

CU	CU Description
-----------	-----------------------

TX5_10/19.1 (New) Transformer 10 kVA / 19.1kV 1 phase 1 bushing 240V					
ITEM NUMBER	STOCK CODE	DESCRIPTION	QTY RQD	UNIT OF MEASURE	REMARKS
1	XT0208	transformer 10 kVA	1	ea	
2	GA4003	surge arrester	1	ea	
3	GF1801	fuse holder 100amp	1	ea	
4	GT0353	Wild life cover	1	ea	
5	FL1448	lug copper	2	ea	
6	FM0915	earthing kit	1	ea	
7	FC0101	stirrup	1	ea	
8	CC0497	live line clamp	1	ea	
10	FL0401	lug 95 LV ABC	6	ea	
11	FT0095	95 LV ABC cable 4Cx4m long	1	ea	
12	CE0058	earth rod clamp	1	ea	
13	CE0078	earth coupling	5	ea	
14	CE0116	driving point for earth rods	0	ea	See Note 1
15	CE0135	earth rod	6	ea	
16	CE0201	earth box	1	ea	
17	CJ0494	splice 95 LV ABC with alum tail	1	ea	
		PG Clamp – See CN9	1	ea	
18	AB6732	pole bolt M16x550mm long with nut and washers	4	ea	
	CE7541	Dispersion plate	4	ea	
19	EE1203	25mm cable, red	2	mr	
20	CB0240	DOF Bracket	1	ea	
22	FE0102	Heat shrink red 15mm ID x 1.2m	2	ea	
24	FE0055	Heat shrink black 35mm ID	1	mr	
25	CJ0498	Splice 95 LV ABC to 70 Cu	1	ea	
27	FL1430	16mm ² copper lug	1	ea	
28	EE0122	16mm ² XLPE	2	mr	

CU		CU Description			
TX5_10/22B2		(New) Transformer 10 kVA / 22 kV 1 phase 2 bushing 240V			
ITEM NUMBER	STOCK CODE	DESCRIPTION	QTY RQD	UNIT OF MEASURE	REMARKS
1	XT0203	transformer 10 kVA	1	ea	
2	GA4002	surge arrester	2	ea	
3	GF1801	fuse holder 100amp	1	ea	
4	GT0353	Wild life cover	2	ea	
5	FL1448	lug copper	2	ea	
6	FM0915	earthing kit	1	ea	
10	FL0401	lug 95 LV ABC	13	ea	
11	FT0095	95 LV ABC cable 4Cx4m long	1	ea	
12	CE0058	earth rod clamp	2	ea	
13	CE0078	earth coupling	5	ea	
14	CE0116	driving point for earth rods	0	ea	See Note 1
15	CE0135	earth rod	6	ea	
16	CE0201	earth box	1	ea	
17	CJ0494	splice 95 LV ABC with alum tail	3	ea	
		PG Clamp – See CN9	3	ea	
18	AB6732	pole bolt M16x550mm long with nut and washers	2	ea	
	CE7541	Dispersion plate	2	ea	
19	EE1203	25mm cable, red	2	mr	
22	FE0102	Heat shrink red 15mm ID x 1.2m	2	ea	
24	FE0055	Heat shrink black 35mm ID	1	mr	
25	CJ0498	Splice 95 LV ABC to 70 Cu	1	ea	

CU		CU Description			
TX5_25/12.7		(New) Transformer 25 kVA / 12.7kV 1 phase 1 bushing 240V			
ITEM NUMBER	STOCK CODE	DESCRIPTION	QTY RQD	UNIT OF MEASURE	REMARKS
1	XT0207	transformer 25 kVA	1	ea	
2	GA4002	surge arrester	1	ea	
3	GF1801	fuse holder 100amp	1	ea	
4	GT0353	Wildlife cover	1	ea	
5	FL1448	lug copper	2	ea	
6	FM0915	earthing kit	1	ea	
7	FC0101	stirrup	1	ea	
8	CC0497	live line clamp	1	ea	
10	FL0401	lug 95 LV ABC	6	ea	
11	FT0095	95 LV ABC cable 4Cx4m long	1	ea	
12	CE0058	earth rod clamp	1	ea	
13	CE0078	earth coupling	5	ea	
14	CE0116	driving point for earth rods	0	ea	See Note 1
15	CE0135	earth rod	6	ea	
16	CE0201	earth box	1	ea	
17	CJ0494	splice 95 LV ABC with alum tail	1	ea	
17		PG Clamp – See CN9	1	ea	
18	AB6732	pole bolt M16x550mm long with nut and washers	4	ea	
	CE7541	Dispersion plate	4	ea	
19	EE1203	25mm cable, red	2	mr	
20	CB0240	DOF bracket	1	ea	
22	FE0102	Heat shrink red 15mm ID x 1.2m	2	lg	
24	FE0055	Heat shrink black 35mm ID	1	mr	
25	CJ0498	Splice 95 LV ABC to 70 Cu	1	ea	
27	FL1430	16mm ² copper lug	1	ea	
28	EE0122	16mm ² XLPE	2	mr	

CU		CU Description			
TX5_25/19.1 (New) Transformer 25 kVA / 19.1 kV 1 phase 1 bushing 240V					
ITEM NUMBER	STOCK CODE	DESCRIPTION	QTY RQD	UNIT OF MEASURE	REMARKS
1	XT0209	transformer 25 kVA	1	ea	
2	GA4003	surge arrester	1	ea	
3	GF1801	fuse holder 100amp	1	ea	
4	GT0353	Wildlife cover	1	ea	
5	FL1448	lug copper	2	ea	
6	FM0915	earthing kit	1	ea	
7	FC0101	stirrup	1	ea	
8	CC0497	live line clamp	1	ea	
10	FL0401	lug 95 LV ABC	6	ea	
11	FT0095	95 LV ABC cable 4Cx4m long	1	ea	
12	CE0058	earth rod clamp	1	ea	
13	CE0078	earth coupling	5	ea	
14	CE0116	driving point for earth rods	0	ea	See Note 1
15	CE0135	earth rod	6	ea	
16	CE0201	earth box	1	ea	
17	CJ0494	splice 95 LV ABC with alum tail	1	ea	
17		PG Clamp – See CN9	1	ea	
18	AB6732	pole bolt M16x550mm long with nut and washers	4	ea	
	CE7541	Dispersion plate	4	ea	
19	EE1203	25mm cable, red	2	mr	
20	CB0240	DOF bracket	1	ea	
22	FE0102	Heat shrink red 15mm ID x 1.2m	2	lg	
24	FE0055	Heat shrink black 35mm ID	1	mr	
25	CJ0498	Splice 95 LV ABC to 70 Cu	1	ea	
27	FL1430	16mm ² copper lug	1	ea	
28	EE0122	16mm ² XLPE	2	mr	

CU		CU Description			
TX5_25/22B2 (New) Transformer 25 kVA / 22 kV 1 phase 2 bushing 240V					
ITEM NUMBER	STOCK CODE	DESCRIPTION	QTY RQD	UNIT OF MEASURE	REMARKS
1	XT0204	transformer 25 kVA	1	ea	
2	GA4002	surge arrester	2	ea	
3	GF1801	fuse holder 100amp	1	ea	
4	GT0353	Wild life cover	2	ea	
5	FL1448	lug copper	3	ea	
6	FM0915	earthing kit	1	ea	
10	FL0401	lug 95 LV ABC	13	ea	
11	FT0095	95 LV ABC cable 4Cx4m long	1	ea	
12	CE0058	earth rod clamp	2	ea	
13	CE0078	earth coupling	5	ea	
14	CE0116	driving point for earth rods	0	ea	See Note 1
15	CE0135	earth rod	6	ea	
16	CE0201	earth box	1	ea	
17	CJ0494	splice 95 LV ABC with alum tail	3	ea	
		PG Clamp – See CN9	3	ea	
18	AB6732	pole bolt M16x550mm long with nut and washers	2	ea	
	CE7541	Dispersion plate	2	ea	
19	EE1203	25mm cable, red	2	mr	
22	FE0102	Heat shrink red 15mm ID x 1.2m	2	ea	
24	FE0055	Heat shrink black 35mm ID	1	mr	
25	CJ0498	Splice 95 LV ABC to 70 Cu	1	ea	

CU		CU Description			
TX5_25/33B2 (Old) Transformer 25 kVA / 33 kV 1 phase 2 bushing 240V					
ITEM NUMBER	STOCK CODE	DESCRIPTION	QTY RQD	UNIT OF MEASURE	REMARKS
1	XT0040	transformer 25 kVA	1	ea	
2	GA4003	surge arrester	2	ea	
3	GF1801	fuse holder 100amp	1	ea	
4	GF1510	Link copper	2	ea	
6	FL1448	lug copper	3	ea	
7	FM0915	earthing kit	1	ea	
10	EE1201	25mm cond. Tx tap black	3	mr	
11	FL0401	lug 95 LV ABC	13	ea	
12	FT0095	95 LV ABC cable 4Cx4m long	1	ea	
13	CE0058	earth rod clamp	2	ea	
14	CE0078	earth coupling	5	ea	
15	CE0116	driving point for earth rods	0	ea	See Note 1
16	CE0135	earth rod	6	ea	
17	CE0201	earth box	1	ea	
18	CJ0494	splice 95 LV ABC with alum tail	3	ea	
19	AB6732	pole bolt M16x550mm long with nut and washers	2	ea	
20	EE1203	25mm cable, red	2	mr	
22	FE0102	Heat shrink red 15mm ID x 1.2m	2	ea	
23	FE0071	Heat shrink black 15mm ID	3	ea	
24	FL1430	16mm ² copper lug	1	ea	
25	CC0081	Insulation Piercing Clamp	1	ea	
26	FE0055	Heat shrink black 35mm ID	1	ea	
27	CJ0498	Splice 95 LV ABC to 70 Cu	1	ea	

CU		CU Description			
TX5_10/11B2P (Old) Transformer 10 kVA / 11 kV 1 phase 2 bushing 480V					
ITEM NUMBER	STOCK CODE	DESCRIPTION	QTY RQD	UNIT OF MEASURE	REMARKS
1	XT0007	transformer 10kVA	1	ea	
2	GA4001	surge arrester	2	ea	
3	GF1801	fuse holder 100amp	2	ea	
4	GF1510	Link copper	2	ea	
6	FL1448	lug copper	5	ea	
7	FM0915	earthing kit	1	ea	
10	EE1201	25mm cond. Tx tap black	5	mr	
11	FL0401	lug 95 LV ABC	13	ea	
12	FT0095	95 LV ABC cable 4Cx4m long	1	ea	
13	CE0058	earth rod clamp	2	ea	
14	CE0078	earth coupling	5	ea	
15	CE0116	driving point for earth rods	0	ea	See Note 1
16	CE0135	earth rod	6	ea	
17	CE0201	earth box	1	ea	
18	CJ0494	splice 95 LV ABC with alum tail	3	ea	
19	AB6732	pole bolt M16x550mm long with nut and washers	2	ea	
20	EE1203	25mm cable, red	2	mr	
22	FE0102	Heat shrink red 15mm ID x 1.2m	2	ea	
23	FE0071	Heat shrink black 15mm ID	5	ea	
24	FL1430	16mm ² copper lug	1	ea	
25	CC0081	Insulation Piercing Clamp	1	ea	
26	FE0055	Heat shrink black 35mm ID	1	ea	
27	CJ0498	Splice 95 LV ABC to 70 Cu	1	ea	

CU	CU Description
-----------	-----------------------

TX5_10/12.7P (New) Transformer 10 kVA / 12.7kV 1 phase 1 bushing 480V					
ITEM NUMBER	STOCK CODE	DESCRIPTION	QTY RQD	UNIT OF MEASURE	REMARKS
1	XT0206	transformer 10 kVA	1	ea	
2	GA4002	surge arrester	1	ea	
3	GF1801	fuse holder 100amp	2	ea	
4	GT0353	Wildlife cover	1	ea	
5	FL1448	lug copper	2	ea	
6	FM0915	earthing kit	1	ea	
7	FC0101	stirrup	1	ea	
8	CC0497	live line clamp	1	ea	
10	FL0401	lug 95 LV ABC	6	ea	
11	FT0095	95 LV ABC cable 4Cx4m long	1	ea	
12	CE0058	earth rod clamp	1	ea	
13	CE0078	earth coupling	5	ea	
14	CE0116	driving point for earth rods	0	ea	See Note 1
15	CE0135	earth rod	6	ea	
16	CE0201	earth box	1	ea	
17	CJ0494	splice 95 LV ABC with alum tail	1	ea	
		PG Clamp – See CN9	1	ea	
18	AB6732	pole bolt M16x550mm long with nut and washers	4	ea	
	CE7541	Dispersion plate	4	ea	
19	EE1203	25mm cable, red	2	mr	
20	CB0240	DOF bracket	1	ea	
22	FE0102	Heat shrink red 15mm x 1.2m	2	lg	
24	FE0055	Heat shrink black 35mm ID	1	mr	
25	CJ0498	Splice 95 LV ABC to 70 Cu	1	ea	
27	FL1430	16mm ² copper lug	1	ea	
28	EE0122	16mm ² XLPE	2	mr	

CU	CU Description
-----------	-----------------------

TX5_10/19.1P (New) Transformer 10 kVA / 19.1kV 1 phase 1 bushing 480V					
ITEM NUMBER	STOCK CODE	DESCRIPTION	QTY RQD	UNIT OF MEASURE	REMARKS
1	XT0208	transformer 10 kVA	1	ea	
2	GA4003	surge arrester	1	ea	
3	GF1801	fuse holder 100amp	2	ea	
4	GT0353	Wild life cover	1	ea	
5	FL1448	lug copper	2	ea	
6	FM0915	earthing kit	1	ea	
7	FC0101	stirrup	1	ea	
8	CC0497	live line clamp	1	ea	
10	FL0401	lug 95 LV ABC	6	ea	
11	FT0095	95 LV ABC cable 4Cx4m long	1	ea	
12	CE0058	earth rod clamp	1	ea	
13	CE0078	earth coupling	5	ea	
14	CE0116	driving point for earth rods	0	ea	See Note 1
15	CE0135	earth rod	6	ea	
16	CE0201	earth box	1	ea	
17	CJ0494	splice 95 LV ABC with alum tail	1	ea	
		PG Clamp – See CN9	1	ea	
18	AB6732	pole bolt M16x550mm long with nut and washers	4	ea	
	CE7541	Dispersion plate	4	ea	
19	EE1203	25mm cable, red	2	mr	
20	CB0240	DOF Bracket	1	ea	
22	FE0102	Heat shrink red 15mm ID x 1.2m	2	ea	
24	FE0055	Heat shrink black 35mm ID	1	mr	
25	CJ0498	Splice 95 LV ABC to 70 Cu	1	ea	
27	FL1430	16mm ² copper lug	1	ea	
28	EE0122	16mm ² XLPE	2	mr	

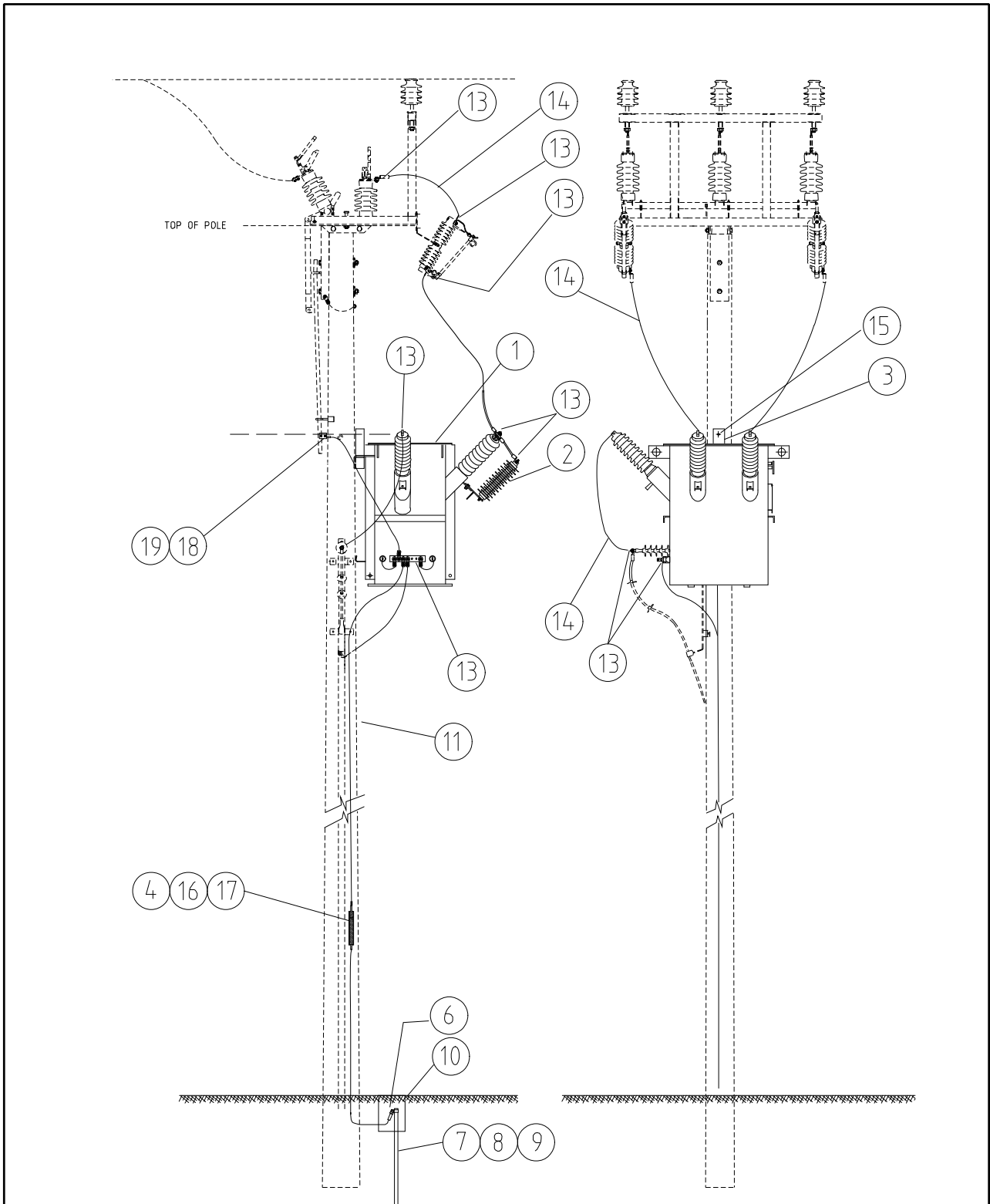
CU		CU Description			
TX5_10/22B2P (New) Transformer 10 kVA / 22 kV 1 phase 2 bushing 480V					
ITEM NUMBER	STOCK CODE	DESCRIPTION	QTY RQD	UNIT OF MEASURE	REMARKS
1	XT0203	transformer 10 kVA	1	ea	
2	GA4002	surge arrester	2	ea	
3	GF1801	fuse holder 100amp	2	ea	
4	GT0353	Wild life cover	2	ea	
5	FL1448	lug copper	2	ea	
6	FM0915	earthing kit	1	ea	
10	FL0401	lug 95 LV ABC	13	ea	
11	FT0095	95 LV ABC cable 4Cx4m long	1	ea	
12	CE0058	earth rod clamp	2	ea	
13	CE0078	earth coupling	5	ea	
14	CE0116	driving point for earth rods	0	ea	See Note 1
15	CE0135	earth rod	6	ea	
16	CE0201	earth box	1	ea	
17	CJ0494	splice 95 LV ABC with alum tail	3	ea	
		PG Clamp – See CN9	3	ea	
18	AB6732	pole bolt M16x550mm long with nut and washers	2	ea	
	CE7541	Dispersion plate	2	ea	
19	EE1203	25mm cable, red	2	ea	
22	FE0102	Heat shrink red 15mm ID x 1.2m	2	ea	
24	FE0055	Heat shrink black 35mm ID	1	ea	
25	CJ0498	Splice 95 LV ABC to 70 Cu	1	ea	

CU		CU Description			
TX5_25/12.7P (New) Transformer 25 kVA / 12.7kV 1 phase 1 bushing 480V					
ITEM NUMBER	STOCK CODE	DESCRIPTION	QTY RQD	UNIT OF MEASURE	REMARKS
1	XT0207	transformer 25 kVA	1	ea	
2	GA4002	surge arrester	1	ea	
3	GF1801	fuse holder 100amp	2	ea	
4	GT0353	Wildlife cover	1	ea	
5	FL1448	lug copper	2	ea	
6	FM0915	earthing kit	1	ea	
7	FC0101	stirrup	1	ea	
8	CC0497	live line clamp	1	ea	
10	FL0401	lug 95 LV ABC	6	ea	
11	FT0095	95 LV ABC cable 4Cx4m long	1	ea	
12	CE0058	earth rod clamp	1	ea	
13	CE0078	earth coupling	5	ea	
14	CE0116	driving point for earth rods	0	ea	See Note 1
15	CE0135	earth rod	6	ea	
16	CE0201	earth box	1	ea	
17	CJ0494	splice 95 LV ABC with alum tail	1	ea	
		PG Clamp – See CN9	1	ea	
18	AB6732	pole bolt M16x550mm long with nut and washers	4	ea	
	CE7541	Dispersion plate	4	ea	
19	EE1203	25mm cable, red	2	mr	
20	CB0240	DOF bracket	1	ea	
22	FE0102	Heat shrink red 15mm x 1.2m	2	lg	
24	FE0055	Heat shrink black 35mm ID	1	mr	
25	CJ0498	Splice 95 LV ABC to 70 Cu	1	ea	
27	FL1430	16mm ² copper lug	1	ea	
28	EE0122	16mm ² XLPE	2	mr	

CU		CU Description			
TX5_25/19.1P (New) Transformer 25 kVA / 19.1 kV 1 phase 1 bushing 480V					
ITEM NUMBER	STOCK CODE	DESCRIPTION	QTY RQD	UNIT OF MEASURE	REMARKS
1	XT0209	transformer 25 kVA	1	ea	
2	GA4003	surge arrester	1	ea	
3	GF1801	fuse holder 100amp	2	ea	
4	GT0353	Wildlife cover	1	ea	
5	FL1448	lug copper	2	ea	
6	FM0915	earthing kit	1	ea	
7	FC0101	stirrup	1	ea	
8	CC0497	live line clamp	1	ea	
10	FL0401	lug 95 LV ABC	6	ea	
11	FT0095	95 LV ABC cable 4Cx4m long	1	ea	
12	CE0058	earth rod clamp	1	ea	
13	CE0078	earth coupling	5	ea	
14	CE0116	driving point for earth rods	0	ea	See Note 1
15	CE0135	earth rod	6	ea	
16	CE0201	earth box	1	ea	
17	CJ0494	splice 95 LV ABC with alum tail	1	ea	
		PG Clamp – See CN9	1	ea	
18	AB6732	pole bolt M16x550mm long with nut and washers	4	ea	
	CE7541	Dispersion plate	4	ea	
19	EE1203	25mm cable, red	2	mr	
20	CB0240	DOF bracket	1	ea	
22	FE0102	Heat shrink red 15mm x 1.2m	2	ea	
24	FE0055	Heat shrink black 35mm ID	1	mr	
25	CJ0498	Splice 95 LV ABC to 70 Cu	1	ea	
27	FL1430	16mm ² copper lug	1	ea	
28	EE0122	16mm ² XLPE	2	mr	

CU		CU Description			
TX5_25/22B2P (New) Transformer 25 kVA / 22 kV 1 phase 2 bushing 480V					
ITEM NUMBER	STOCK CODE	DESCRIPTION	QTY RQD	UNIT OF MEASURE	REMARKS
1	XT0204	transformer 25 kVA	1	ea	
2	GA4002	surge arrester	2	ea	
3	GF1801	fuse holder 100amp	2	ea	
4	GT0353	Wildlife cover	2	ea	
5	FL1448	lug copper	2	ea	
6	FM0915	earthing kit	1	ea	
10	FL0401	lug 95 LV ABC	13	ea	
11	FT0095	95 LV ABC cable 4Cx4m long	1	ea	
12	CE0058	earth rod clamp	2	ea	
13	CE0078	earth coupling	5	ea	
14	CE0116	driving point for earth rods	0	ea	See Note 1
15	CE0135	earth rod	6	ea	
16	CE0201	earth box	1	ea	
17	CJ0494	splice 95 LV ABC with alum tail	3	ea	
		PG Clamp – See CN9	3	ea	
18	AB6732	pole bolt M16x550mm long with nut and washers	2	ea	
	CE7541	Dispersion plate	2	ea	
19	EE1203	25mm cable, red	2	mr	
22	FE0102	Heat shrink red 15mm ID x 1.2m	2	ea	
24	FE0055	Heat shrink black 35mm ID	1	mr	
25	CJ0498	Splice 95 LV ABC to 70 Cu	1	ea	

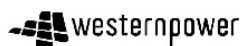
CU		CU Description			
TX5_25/33B2P (Old) Transformer 25 kVA / 33 kV 1 phase 2 bushing 480V					
ITEM NUMBER	STOCK CODE	DESCRIPTION	QTY RQD	UNIT OF MEASURE	REMARKS
1	XT0040	transformer 25 kVA	1	ea	
2	GA4003	surge arrester	2	ea	
3	GF1801	fuse holder 100amp	2	ea	
4	GF1510	Link copper	2	ea	
6	FL1448	lug copper	5	ea	
7	FM0915	earthing kit	1	ea	
10	EE1432	16mm cond. Tx tap	5	mr	
11	FL0401	lug 95 LV ABC	13	ea	
12	FT0095	95 LV ABC cable 4Cx4m long	1	ea	
13	CE0058	earth rod clamp	2	ea	
14	CE0078	earth coupling	5	ea	
15	CE0116	driving point for earth rods	0	ea	See Note 1
16	CE0135	earth rod	6	ea	
17	CE0201	earth box	1	ea	
18	CJ0494	splice 95 LV ABC with alum tail	3	ea	
19	AB6732	pole bolt M16x550mm long with nut and washers	2	ea	
20	EE1203	25mm cable, red	2	ea	
22	FE0102	Heat shrink red 15mm ID x 1.2m	2	ea	
23	FE0071	Heat shrink black 15mm ID	5	ea	
24	FL1430	16mm ² copper lug	1	ea	
25	CC0081	Insulation Piercing Clamp	1	ea	
26	FE0055	Heat shrink black 35mm ID	1	ea	
27	CJ0498	Splice 95 LV ABC to 70 Cu	1	ea	



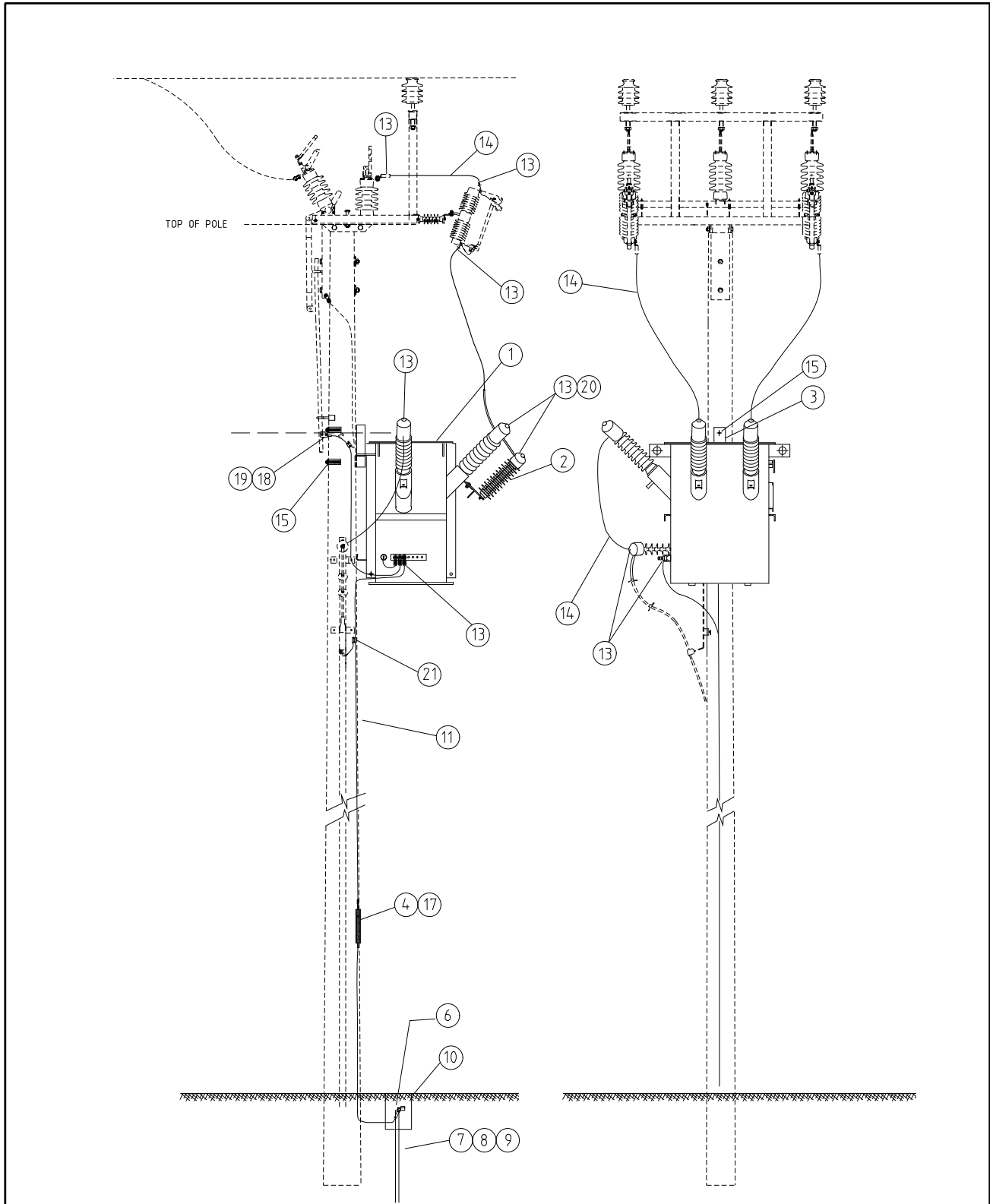
NOTE:

1. FOR TRANSFORMER RE-INSTALLATION, ALL TX6 COMPATIBLE UNITS WITHOUT TRANSFORMER AND SURGE ARRESTERS ARE SHOWN IN DQM WITH 'X' AT THE END OF THE COMPATIBLE UNIT NAME.

			COMPATIBLE UNIT			DISTRIBUTION DESIGN CATALOGUE		westernpower	
			TITLE			DRAWN: JRR		DATE: 22-04-2014	
			ISOLATION TRANSFORMER			ORIGINATED:		SCALE: NTS	
						CHECKED: REE		DRG. No. TX06	
						APPROVED:		REV. F	
						GRANT STACY		SHT.	
REV	DATE	DESCRIPTION	ORGD.	CHKD.	APRD.				
F	21.12.17	EARTHING SYSTEM MODIFIED	JC	REE	GS				
E	21.12.16	NOTE 1 ADDED	JC	CO	GS				
D	16.10.14	FORMAT CHANGED AND MINOR CHANGES	JC	REE	GS				
C	03.03.11	ORIGINAL ISSUE							



Uncontrolled document when printed. Printed copy expires one week from print date.



NOTE:
 1. FOR TRANSFORMER RE-INSTALLATION, ALL TX6 COMPATIBLE UNITS WITHOUT TRANSFORMER AND SURGE ARRESTERS ARE SHOWN IN DQM WITH 'X' AT THE END OF THE COMPATIBLE UNIT NAME.

				COMPATIBLE UNIT		DISTRIBUTION DESIGN CATALOGUE		westernpower		
G	08.02.19	NEW ISOLATION TRANSFORMER		NMc	NN	GS	TITLE	DRAWN: JRR	DATE: 22-04-2014	DRG. No.
F	21.12.17	EARTHING SYSTEM MODIFIED		JC	REE	GS		ORIGINATED:	SCALE: NTS	TX06
E	21.12.16	NOTE 1 ADDED		JC	CO	GS		CHECKED: REE		
D	16.10.14	FORMAT CHANGED AND MINOR CHANGES		JC	REE	GS	NEW - ISOLATION TRANSFORMER	APPROVED:	GRANT STACY	REV. G
C	03.03.11	ORIGINAL ISSUE								SHT.
REV	DATE	DESCRIPTION		ORGD.	CHKD.	APRD.				



Uncontrolled document when printed. Printed copy expires one week from print date.

CU	CU Description
-----------	-----------------------

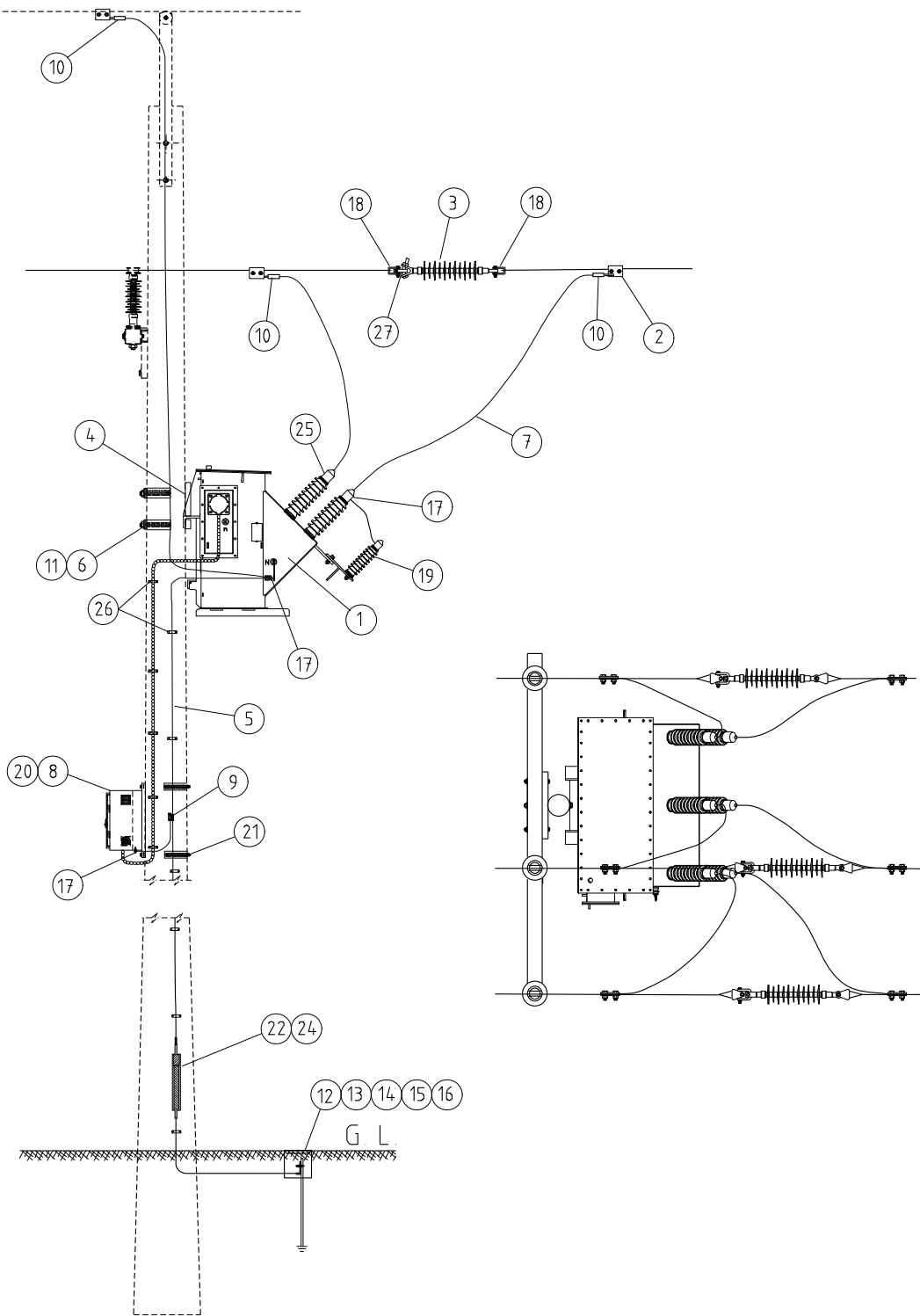
TX6_63/22		Isolation transformer 63 kVA 22/12.7kV			
ITEM NUMBER	STOCK CODE	DESCRIPTION	QTY RQD	UNIT OF MEASURE	REMARKS
1	XT0193	transformer 63 kVA 22/12.7kV	1	ea	
2	GA4002	surge arrester	2	ea	
3	CB0112	xarm tx hanger	1	ea	
4	CJ0498	Splice 95 LV ABC to 70 Cu	1	ea	
6	CE0058	earth rod clamp	1	ea	
7	CE0078	earth coupling	5	ea	
8	CE0116	driving point for earth rods	0	ea	See Note 1
9	CE0135	earth rod	6	ea	
10	CE0201	earth box	1	ea	
11	FM0915	earthing kit	1	ea	
13	FL0401	lug 95 LV ABC	20	ea	
14	FT0095	95 LV ABC cable 4Cx4m long	1	ea	
15	AB6742	pole bolt M20x550mm long with nut and washers	2	ea	
17	FE0055	Heat shrink black 35mm ID	1	ea	
18	CJ0494	Stalk lug 95 Al	1	ea	
19		PG clamp see CN9	1	ea	

CU		CU Description			
TX6_200/22		(New) Isolation transformer 200kVA 22/12.7kV			
ITEM NUMBER	STOCK CODE	DESCRIPTION	QTY RQD	UNIT OF MEASURE	REMARKS
1	XT0225	transformer 200 kVA 22/12.7kV	1	ea	
2	GA4002	surge arrester	2	ea	
3	CB0112	xarm tx hanger	1	ea	
4	CJ0498	Splice 95 LV ABC to 70 Cu	1	ea	
6	CE0058	earth rod clamp	1	ea	
7	CE0078	earth coupling	5	ea	
8	CE0116	driving point for earth rods	0	ea	See Note 1
9	CE0135	earth rod	6	ea	
10	CE0201	earth box	1	ea	
11	FM0915	earthing kit	1	ea	
13	FL0401	lug 95 LV ABC	20	ea	
14	FT0095	95 LV ABC cable 4Cx4m long	1	ea	
15	AB6742	pole bolt M20x550mm long with nut and washers	2	ea	
	CE7541	Dispersion plate	2	ea	
17	FE0055	Heat shrink black 35mm ID	1	mr	
18	CJ0494	Stalk lug 95 Al	1	ea	
19		PG clamp see CN9	1	ea	
20	GT0353	Wild life cover	3	ea	
21	CC0081	IPC 95 LV ABC	2	ea	

CU	CU Description
-----------	-----------------------

TX6_200/33		Isolation transformer 200kVA 33/12.7kV			
ITEM NUMBER	STOCK CODE	DESCRIPTION	QTY RQD	UNIT OF MEASURE	REMARKS
1	XT0190	transformer 200 kVA 33/12.7kV	1	ea	
2	GA4003	surge arrester	2	ea	
3	CB0112	xarm tx hanger	1	ea	
4	CJ0498	Splice 95 LV ABC to 70 Cu	1	ea	
6	CE0058	earth rod clamp	1	ea	
7	CE0078	earth coupling	5	ea	
8	CE0116	driving point for earth rods	0	ea	See Note 1
9	CE0135	earth rod	6	ea	
10	CE0201	earth box	1	ea	
11	FM0915	earthing kit	1	ea	
13	FL0401	lug 95 LV ABC	20	ea	
14	FT0095	95 LV ABC cable 4Cx4m long	1	ea	
15	AB6742	pole bolt M20x550mm long with nut and washers	2	ea	
17	FE0055	Heat shrink black 35mm ID	1	ea	
18	CJ0494	Stalk lug 95 Al	1	ea	
19		PG clamp see CN9	1	ea	

TX6_33/19.1		Isolation transformer 200kVA 33/19.1kV			
ITEM NUMBER	STOCK CODE	DESCRIPTION	QTY RQD	UNIT OF MEASURE	REMARKS
1	XT0201	transformer 200 kVA 33/19.1kV	1	ea	
2	GA4003	surge arrester	2	ea	
3	CB0112	xarm tx hanger	1	ea	
4	CJ0498	Splice 95 LV ABC to 70 Cu	1	ea	
6	CE0058	earth rod clamp	1	ea	
7	CE0078	earth coupling	5	ea	
8	CE0116	driving point for earth rods	0	ea	See Note 1
9	CE0135	earth rod	6	ea	
10	CE0201	earth box	1	ea	
11	FM0915	earthing kit	1	ea	
13	FL0401	lug 95 LV ABC	20	ea	
14	FT0095	95 LV ABC cable 4Cx4m long	1	ea	
15	AB6742	pole bolt M20x550mm long with nut and washers	2	ea	
17	FE0055	Heat shrink black 35mm ID	1	ea	
18	CJ0494	Stalk lug 95 Al	1	ea	
19		PG clamp see CN9	1	ea	



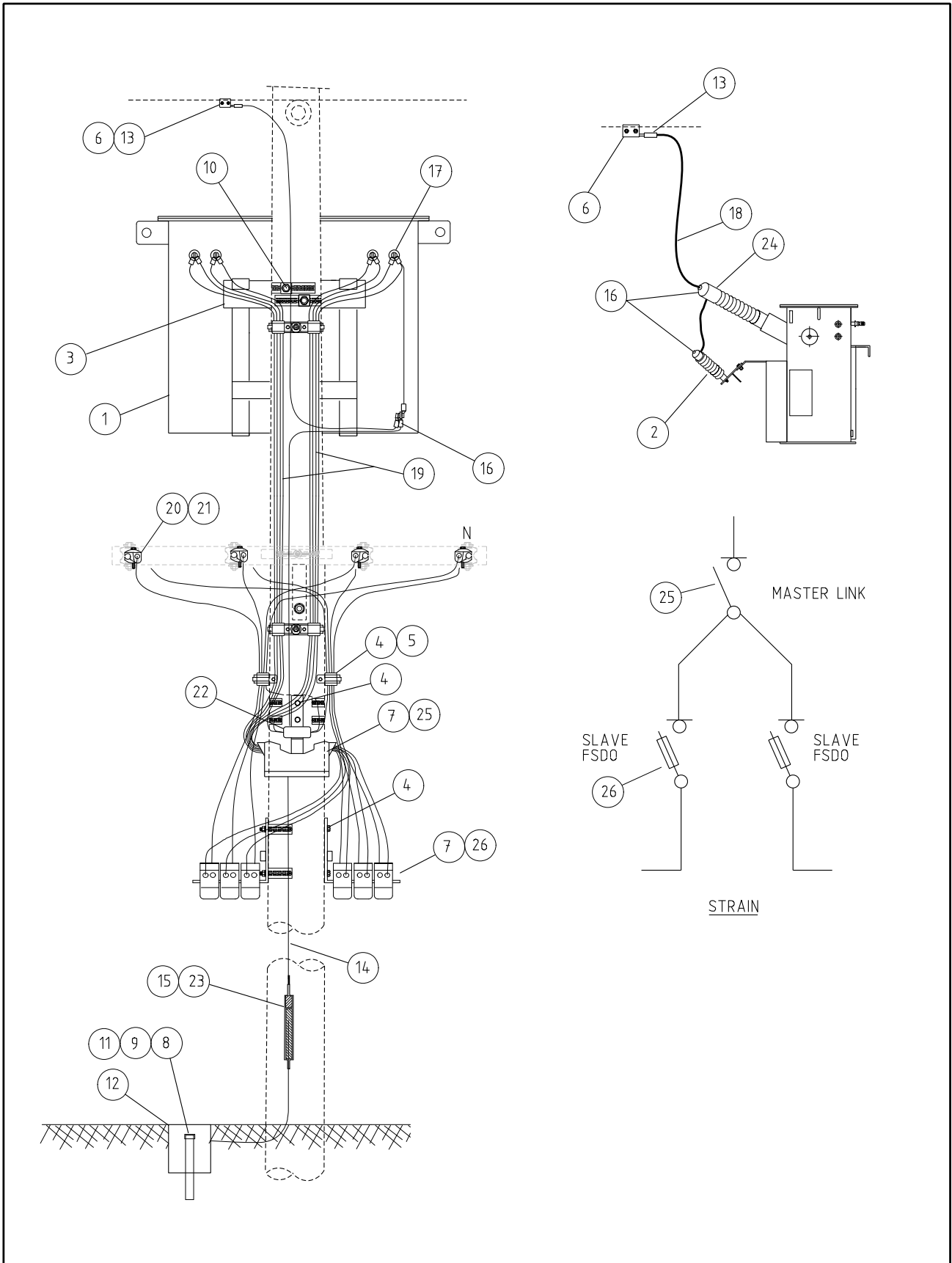
NOTE:

1. FOR TRANSFORMER RE-INSTALLATION, ALL TX7 COMPATIBLE UNITS WITHOUT TRANSFORMER AND SURGE ARRESTERS ARE SHOWN IN DQM WITH 'X' AT THE END OF THE COMPATIBLE UNIT NAME.
2. RUNNING EARTH CAN BE OVER OR UNDER SLUNG.

				COMPATIBLE UNIT				DISTRIBUTION DESIGN CATALOGUE		westernpower		
M	28.05.21	METERING CUBICLE REVISED		CO	REE	LT	TITLE	DRAWN: JRR	DATE: 22-04-2014	DRG. No.		
L	20.11.20	TRANSFORMER TYPE UPDATED		NMC	REE	GS	HV POLE TOP METERING (OUTDOOR)	ORIGINATED:	SCALE: NTS	TX07		
K	21.12.17	EARTHING SYSTEM MODIFIED		JC	REE	GS		CHECKED: REE				
J	21.12.16	NOTE 1 ADDED		JC	CO	GS		APPROVED:				
H	16.10.14	FORMAT CHANGED		JC	REE	GS		GRANT STACY	REV. M		SHT.	
REV	DATE	DESCRIPTION		ORGD.	CHKD.	APRD.						

CU		CU Description			
TX7_22 pole top metering outdoor 22kV					
ITEM NUMBER	STOCK CODE	DESCRIPTION	QTY RQD	UNIT OF MEASURE	REMARKS
1	XA2429	metering transformer w/secondary cable	1	ea	
2		PG clamp see CN9	6	ea	
3	IC0041	poly strain insulator	3	ea	
4	CB0112	tx xarm hanger steel	1	ea	
5	FM0915	earthing kit	1	ea	
6	AB6742	pole bolt M20x550mm long with nut and washers	2	ea	
7	FT0095	95 LV ABC cable 4Cx4m long	2	ea	
8	FB0830	metering cubicle	1	ea	
9	CC0081	IPC clamp	1	ea	
10	CJ0494	splice with alum tail	7	ea	
11	CE7541	dispersion plate	4	ea	
12	CE0058	earth rod clamp	1	ea	
13	CE0135	earth rod	6	ea	
14	CE0116	driving point for earth rods	0	ea	See Note 1
15	CE0078	earth coupling	5	ea	
16	CE0201	earth box	1	ea	
17	FL0401	lug 95 LV ABC	15	ea	
18		clevis thimble See CN1-4	6	ea	Dead-ends to match conductor
19	GA4002	Surge Arrester	3	ea	
20	HZ3333	metering panel	1	ea	
21	AB6732	Pole bolt M16x550mm long	2	ea	
22	CJ0498	Splice 95 LV ABC to 70 Cu	1	ea	
24	FE0055	Heat shrink black 35mm ID	1	ea	
25	GT0353	Bushing cover	6	ea	
26	GC7192	Saddles	12	ea	
27	OS0013	D shackle	3	ea	

CU		CU Description			
TX7_33 pole top metering outdoor 33kV					
ITEM NUMBER	STOCK CODE	DESCRIPTION	QTY RQD	UNIT OF MEASURE	REMARKS
1	XA2431	metering transformer w/secondary cable	1	ea	
2		PG clamp see CN9	6	ea	
3	IC0041	poly strain insulator	3	ea	
4	CB0112	tx xarm hanger steel	1	ea	
5	FM0915	earthing kit	1	ea	
6	AB6742	pole bolt M20x550mm long with nut and washers	2	ea	
7	FT0095	95 LV ABC cable 4Cx4m long	2	ea	
8	FB0830	metering cubicle	1	ea	
9	CC0081	IPC clamp	1	ea	
10	CJ0494	splice with alum tail	7	ea	
11	CE7541	dispersion plate	4	ea	
12	CE0058	earth rod clamp	1	ea	
13	CE0135	earth rod	6	ea	
14	CE0116	driving point for earth rods	0	ea	See Note 1
15	CE0078	earth coupling	5	ea	
16	CE0201	earth box	1	ea	
17	FL0401	lug 95 LV ABC	15	ea	
18		clevis thimble See CN1-4	6	ea	Dead-ends to match conductor
19	GA4002	Surge Arrester	3	ea	
20	HZ3333	metering panel	1	ea	
21	AB6732	Pole bolt M16x550mm long	2	ea	
22	CJ0498	Splice 95 LV ABC to 70 Cu	1	ea	
24	FE0055	Heat shrink black 35mm ID	1	ea	
25	GT0353	Bushing cover	6	ea	
26	GC7192	Saddles	12	ea	
27	OS0013	D shackle	3	ea	

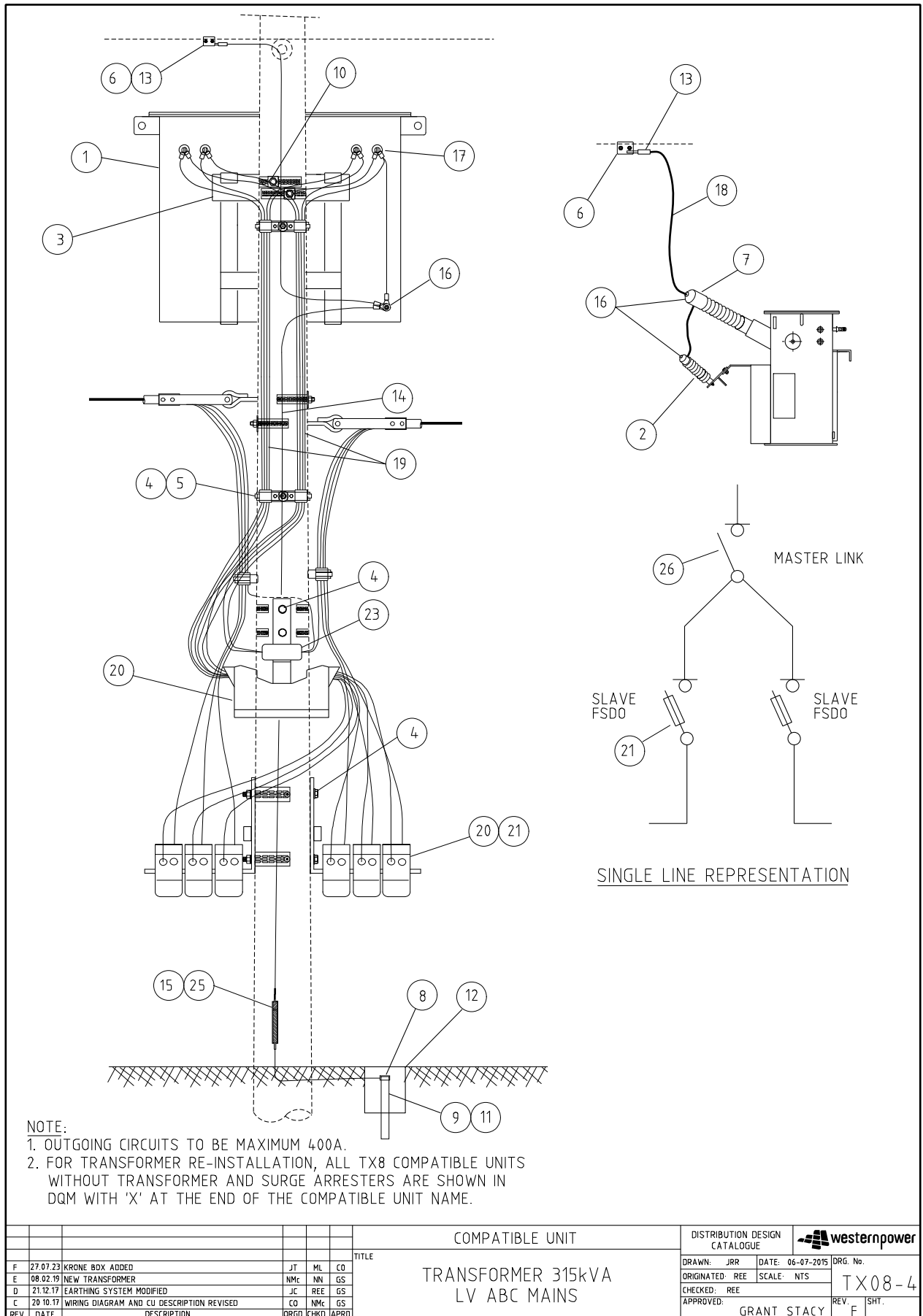


				TITLE		COMPATIBLE UNIT		DISTRIBUTION DESIGN CATALOGUE		westernpower		
				TRANSFORMER 315kVA BARE LV MAINS				DRAWN: JRR DATE: 06-07-2015 DRG. No.		TX08-1		
E 27.07.23 KRONE BOX ADDED				JT	ML	CO	ORIGINATED: REE SCALE: NTS		CHECKED: REE		REV. E	SHT.
D 21.12.17 EARTHING SYSTEM MODIFIED				JC	REE	GS	APPROVED: GRANT STACY					
C 20.10.17 LV ISOLATOR CONNECTION DETAILS REVISED				CO	NMc	GS						
REV	DATE	DESCRIPTION		DRGD.	CHKD.	APRD.						

CU		CU Description			
TX8_1_315/11		Transformer 315kVA 6/11 kV			
ITEM NUMBER	STOCK CODE	DESCRIPTION	QTY RQD	UNIT OF MEASURE	REMARKS
1	XT0214	transformer 315kVA	1	ea	
2	GA4001	surge arrester	3	ea	
3	CB0112	tx xarm hanger steel	1	ea	
4	AB6733	pole bolt M16x400mm long with washers	7	ea	
5	CC0110	150 LV ABC clamp	6	ea	
6		PG clamp – see CN09	8	ea	
7	GS0111	LV ABC fuse box	3	ea	
8	CE0058	earth rod clamp	1	ea	
9	CE0078	earth coupling	5	ea	
10	AB6742	pole bolt M20x550mm long with nut and washers	2	ea	
	CE7541	Dispersion plate	6	ea	
11	CE0135	earth rod	6	ea	
12	CE0201	earth box	1	ea	
13		LV ABC splice – See CN69 or CN70	4	ea	
14	FM0915	earthing kit	1	ea	
15	CJ0498	Splice 95 LV ABC to 70 Cu	1	ea	
16	FL0401	lug 95 LV ABC	11	ea	
17	FL0402	lug 150 LV ABC	8	ea	
18	FT0095	95 LV ABC cable 4Cx4m long	1	ea	
19	FT0150	150 LV ABC cable 4Cx4m long	3	ea	
20		PG Clamps see - CN9	8	ea	
21		LV ABC splice – See CN69 or CN70	8	ea	
22	GS0109	Neutral Block	1	ea	
23	FE0055	Heat shrink black 35mm ID	1	mr	
24	GT0353	Transformer bushing cover	3	ea	
25	GF1508	630A bus conductor	3	ea	
26	GF2129	250A fuse	6	ea	

CU		CU Description			
TX8_1_315/22		Transformer 315kVA 22 kV			
ITEM NUMBER	STOCK CODE	DESCRIPTION	QTY RQD	UNIT OF MEASURE	REMARKS
1	XT0219	transformer 315kVA	1	ea	
2	GA4002	surge arrester	3	ea	
3	CB0112	tx xarm hanger steel	1	ea	
4	AB6733	pole bolt M16x400mm long with washers	7	ea	
5	CC0110	150 LV ABC clamp	6	ea	
6		PG clamps see – CN9	4	ea	
7	GS0111	LV ABC fuse box	3	ea	
8	CE0058	earth rod clamp	1	ea	
9	CE0078	earth coupling	5	ea	
10	AB6742	pole bolt M20x550mm long with nut and washers	2	ea	
	CE7541	Dispersion plate	6	ea	
11	CE0135	earth rod	6	ea	
12	CE0201	earth box	1	ea	
13		LV ABC splice – See CN69 or CN70	4	ea	
14	FM0915	earthing kit	1	ea	
15	CJ0498	Splice 95 LV ABC to 70 Cu	1	ea	
16	FL0401	lug 95 LV ABC	11	ea	
17	FL0402	lug 150 LV ABC	8	ea	
18	FT0095	95 LV ABC cable 4Cx4m long	1	ea	
19	FT0150	150 LV ABC cable 4Cx4m long	3	ea	
20		PG Clamps see - CN9	8	ea	
21		LV ABC splice – See CN69 or CN70	8	ea	
22	GS0109	Neutral Block	1	ea	
23	FE0055	Heat shrink black 35mm ID	1	mr	
24	GT0353	Transformer bushing cover	3	ea	
25	GF1508	630A bus conductor	3	ea	
26	GF2129	250A fuse	6	ea	

CU		CU Description			
TX8_1_315/33		Transformer 315kVA 33 kV			
ITEM NUMBER	STOCK CODE	DESCRIPTION	QTY RQD	UNIT OF MEASURE	REMARKS
1	XT0224	transformer 315kVA	1	ea	
2	GA4003	surge arrester	3	ea	
3	CB0112	tx xarm hanger steel	1	ea	
4	AB6733	pole bolt M16x400mm long with washers	5	ea	
5	CC0110	150 LV ABC clamp	6	ea	
6		PG clamps see – CN9	7	ea	
7	GS0111	LV ABC fuse box	3	ea	
8	CE0058	earth rod clamp	1	ea	
9	CE0078	earth coupling	5	ea	
10	AB6742	pole bolt M20x550mm long with nut and washers	2	ea	
	CE7541	Dispersion plate	6	ea	
11	CE0135	earth rod	6	ea	
12	CE0201	earth box	1	ea	
13		LV ABC splice – See CN69 or CN70	4	ea	
14	FM0915	earthing kit	1	ea	
15	CJ0498	Splice 95 LV ABC to 70 Cu	1	ea	
16	FL0401	lug 95 LV ABC	11	ea	
17	FL0402	lug 150 LV ABC	8	ea	
18	FT0095	95 LV ABC cable 4Cx4m long	1	ea	
19	FT0150	150 LV ABC cable 4Cx4m long	3	ea	
20		PG Clamps see - CN9	8	ea	
21		LV ABC splice – See CN69 or CN70	8	ea	
22	GS0109	Neutral Block	1	ea	
23	FE0055	Heat shrink black 35mm ID	1	mr	
24	GT0353	Transformer bushing cover	3	ea	
25	GF1508	630A bus conductor	3	ea	
26	GF2129	250A fuse	6	ea	



TX8_4_315/11		Transformer 315kVA 6/11kV			
ITEM NUMBER	STOCK CODE	DESCRIPTION	QTY RQD	UNIT OF MEASURE	REMARKS
1	XT0214	transformer 315kVA	1	ea	
2	GA4001	surge arrester	3	ea	
3	CB0112	tx xarm hanger steel	1	ea	
4	AB6733	pole bolt M16x400mm long with washers	7	ea	
5	CC0110	150 LV ABC clamp	6	ea	
6		PG clamps see – CN9	4	ea	
7	GF0353	Wildlife cover	3	ea	
8	CE0058	earth rod clamp	1	ea	
9	CE0078	earth coupling	5	ea	
10	AB6742	pole bolt M20x550mm long with nut and washers	2	ea	
	CE7541	Dispersion plate	6	ea	
11	CE0135	earth rod	6	ea	
12	CE0201	earth box	1	ea	
13		LV ABC splice – See CN69 or CN70	4	ea	
14	FM0915	earthing kit	1	ea	
15		LV ABC splice – See CN69 or CN70	1	ea	
16	FL0401	lug 95 LV ABC	11	ea	
17	FL0402	lug 150 LV ABC	8	ea	
18	FT0095	95 LV ABC cable 4Cx4m long	1	ea	
19	FT0150	150 LV ABC cable 4Cx4m long	2	ea	
20	GS0111	fuse disconnecter (rated 400A)	3	ea	
21	GF2129	Fuse 250A din size 2	6	ea	
22	AB6741	pole bolt M12x550mm long with nut and washers	6	ea	
23	GS0109	neutral block	1	ea	
25	FE0055	Heat shrink black 35mm ID	1	mr	
26	GF1508	630A bus conductor	3	ea	

CU		CU Description			
TX8_4_315/22 (New) Transformer 315kVA 22kV					
ITEM NUMBER	STOCK CODE	DESCRIPTION	QTY RQD	UNIT OF MEASURE	REMARKS
1	XT0219	transformer 315kVA	1	ea	
2	GA4002	surge arrester	3	ea	
3	CB0112	tx xarm hanger steel	1	ea	
4	AB6733	pole bolt M16x400mm long with washers	7	ea	
5	CC0110	150 LV ABC clamp	6	ea	
6		PG clamps see – CN9	4	ea	
7	GT0353	Wildlife cover	3	ea	
8	CE0058	earth rod clamp	1	ea	
9	CE0078	earth coupling	5	ea	
10	AB6742	pole bolt M20x550mm long with nut and washers	2	ea	
	CE7541	Dispersion Plate	6	ea	
11	CE0135	earth rod	6	ea	
12	CE0201	earth box	1	ea	
13		LV ABC splice – See CN69 or CN70	4	ea	
14	FM0915	earthing kit	1	ea	
15		LV ABC splice – See CN69 or CN70	1	ea	
16	FL0401	lug 95 LV ABC	11	ea	
17	FL0402	lug 150 LV ABC	8	ea	
18	FT0095	95 LV ABC cable 4Cx4m long	1	ea	
19	FT0150	150 LV ABC cable 4Cx4m long	2	ea	
20	GS0111	fuse disconnecter (rated 400A)	3	ea	
21	GF1101	fuse 315 amp din size 2	6	ea	
22	AB6741	pole bolt M12x550mm long with nut and washers	6	ea	
23	GS0109	neutral block	1	ea	
25	FE0055	Heat shrink black 35mm ID	1	mr	
26	GF1508	630A bus conductor	3	ea	

CU		CU Description			
TX8_4_315/33		Transformer 315kVA 33kV			
ITEM NUMBER	STOCK CODE	DESCRIPTION	QTY RQD	UNIT OF MEASURE	REMARKS
1	XT0224	transformer 315kVA	1	ea	
2	GA4003	surge arrester	3	ea	
3	CB0112	tx xarm hanger steel	1	ea	
4	AB6733	pole bolt M16x400mm long with washers	7	ea	
5	CC0110	150 LV ABC clamp	8	ea	
7	GF0353	Wildlife cover	3	ea	
6		PG clamps see – CN9	4	ea	
8	CE0058	earth rod clamp	1	ea	
9	CE0078	earth coupling	5	ea	
10	AB6742	pole bolt M20x550mm long with nut and washers	2	ea	
	CE7541	Dispersion plate	6	ea	
11	CE0135	earth rod	6	ea	
12	CE0201	earth box	1	ea	
13		LV ABC splice – See CN69 or CN70	4	ea	
14	FM0915	earthing kit	1	ea	
15		LV ABC splice – See CN69 or CN70	1	ea	
16	FL0401	lug 95 LV ABC	11	ea	
17	FL0402	lug 150 LV ABC	8	ea	
18	FT0095	95 LV ABC cable 4Cx4m long	1	ea	
19	FT0150	150 LV ABC cable 4Cx4m long	2	ea	
20	GS0111	fuse disconnecter (rated 400A)	3	ea	
21	GF2129	fuse 250A din size 2	6	ea	
22	AB6741	pole bolt M12x550mm long with nut and washers	6	ea	
23	GS0109	neutral block	1	ea	
25	FE0055	Heat shrink black 35mm ID	1	mr	
26	GF1508	630A bus conductor	3	ea	